



# Reservoir Accessories

Filler Breathers, Strainers, Diffusers,  
Fluid Level/Temperature Gauges



# Reservoir Accessories

## Filler Breathers

### Non-Metallic Filler Breathers Single-Hole and Six-Hole Styles

#### Specifications:

##### Materials:

Body: Non-corrodible glass filled nylon.

Valve: Nylon/Nitrile.

Dipstick: ABS, acetal Hi/Lo indicators.

**Filtration Element:** Expanded polyurethane foam, 10 micron.

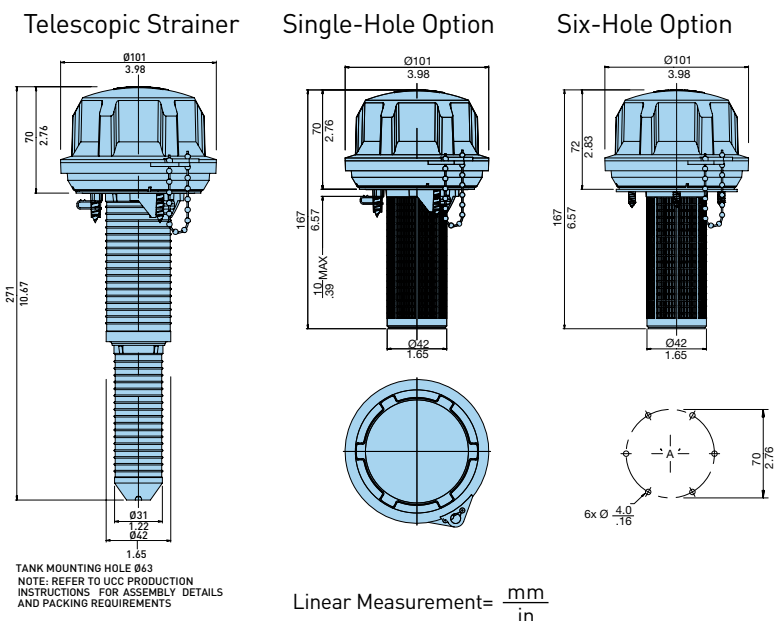
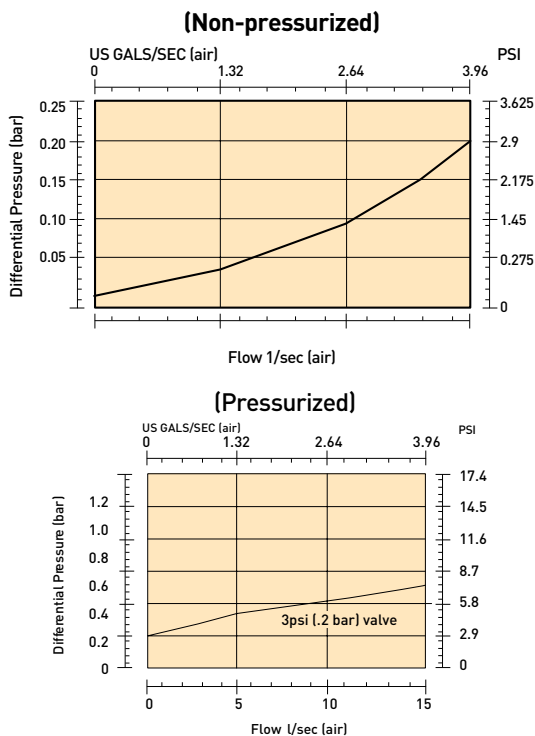
**Operating Temperatures:** -22°F (-30°C) to 195°F (90°C).

**Seals:** Nitrile (single-hole), cork gasket (six-hole).

**Pressurization Options:** 3 psi (0.2 bar).

**Dipstick:** (optional) 7.9 in. (200 mm) or 15.8 in. (400 mm) lengths with adjustable Hi/Lo indicators.

**Anti-Splash  
Design!**



#### Non-pressurized

Single-Hole New Part No.	Single-Hole Obs. Part No.	Six-Hole New Part No.	Six-Hole Obs. Part No.	Micron Rating	Description	Screws*
AB.98210001.UC	FB1.A1A1A2P	AB.98810001.UC	FB1.D1A1A2P	10	Filler breather without strainer	(6)-M10x.5
AB.98210011.UC	FB1.A1A1B2P	AB.98810011.UC	FB1.D1A1B2P	10	Filler breather with 3.7" (95 mm) strainer	(6)-M10x.5
AB.98210021.UC	FB1.A1A1C2P	AB.98810021.UC	FB1.D1A1C2P	10	Filler breather with telescopic strainer	(6)-M10x.5

#### Pressurized

Single-Hole Part No.	Six-Hole New Part No.	Six-Hole Obs. Part No.	Micron Rating	Description	Screws*
Not Available	AB.98812001.UC	FB1.D1B1A2P	10	3 psi (.2 bar) without strainer	(6)-M10x.5
Not Available	AB.98812011.UC	FB1.D1B1B2P	10	3 psi (.2 bar) with 3.7" (95 mm) strainer	(6)-M10x.5
Not Available	AB.98812021.UC	FB1.D1B1C2P	10	3 psi (.2 bar) with telescopic strainer	(6)-M10x.5

#### Dipsticks

New Part Number	Obsolete Part Number	Description
B.68.206	DIP.FB2	Pack of (10) x 7.9"
DIP.FB4	-	Pack of (10) x 15.8"

\*Mounting screws for six-hole only



### Non-Metallic Breathers

#### Threaded Type

#### Specifications:

##### Materials:

Body: Nylon 66.

Valve: Nylon/Nitrile.

Dipstick: ABS, acetal Hi/Lo indicators.

**Filtration Element:** Expanded polyurethane foam, 10 micron.

**Operating Temperatures:** -22°F (-30°C) to 195°F (90°C).

**Seals:** Nitrile.

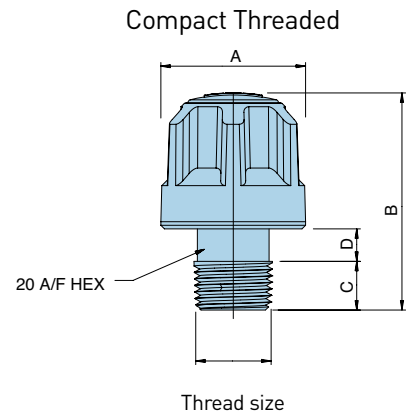
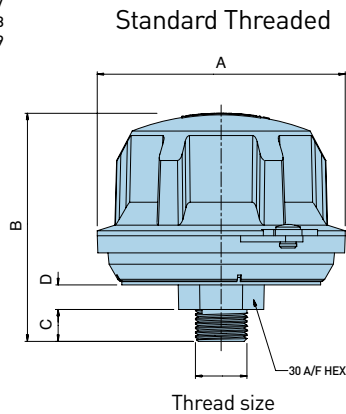
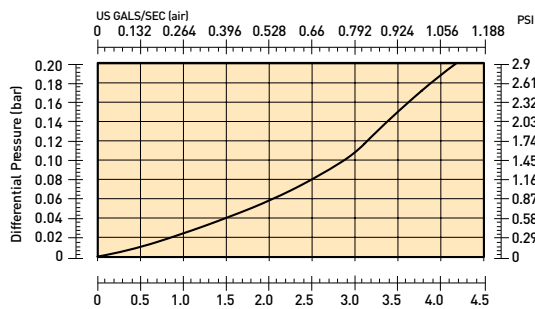
**Pressurization Options:** 3 psi (0.2 bar).

**Dipstick:** (optional) 7.9 in. (200 mm) or 15.8 in. (400mm) lengths with adjustable Hi/Lo indicators.

#### Anti-Splash Design!



COMPACT THREADED



#### Compact Threaded

New Part Number	Obs. Part Number	Micron Rating	Thread	Pressure	"A"	"B"	"C"	"D"
AB.683102.UC*	SB1.A1A2P*	10	1/4" NPT	non-pressurized	1.6" [40 mm]	2.2" [57 mm]	.55" [14 mm]	.24" [6 mm]
AB.68Y102.UC*	SB1.C1A2P*	10	1/2" NPT	non-pressurized	1.6" [40 mm]	2.4" [60 mm]	.53" [13.5 mm]	.35" [9 mm]
AB.68Z102.UC*	SB1.D1A2P*	10	3/4" NPT	non-pressurized	1.6" [40 mm]	2.4" [60 mm]	.55" [14 mm]	.35" [9 mm]

\*Pack of (10) pieces.

#### Standard Threaded

New Part Number	Obs. Part Number	Micron Rating	Thread	Pressure	"A"	"B"	"C"	"D"
Not Available	FB1.C1A3A2P	10	1/2" NPT	non-pressurized	4.0" [101 mm]	3.7" [93 mm]	.51" [13 mm]	.39" [10 mm]
FB1.C1B3A2P	-	10	1/2" NPT	3 psi (.2 bar)	4.0" [101 mm]	3.7" [93 mm]	.51" [13 mm]	.39" [10 mm]
AB.98410201.UC	FB1.B1A3A2P	10	3/4" NPT	non-pressurized	4.0" [101 mm]	3.8" [95 mm]	.63" [16 mm]	.39" [10 mm]
AB.98412201.UC	FB1.B1B3A2P	10	3/4" NPT	3 psi (.2 bar)	4.0" [101 mm]	3.8" [95 mm]	.63" [16 mm]	.39" [10 mm]

#### Dipsticks

New Part Number	Obs. Part Number	Description
B.68.206	DIP.FB2	Pack of (10) x 7.9"
DIP.FB4	-	Pack of (10) x 15.8"

# Reservoir Accessories

## Filler Breathers

### Metal Filler Breathers

#### Flange Type

#### Specifications:

##### Materials:

Cap & Plate: Nickel chrome plated steel.  
Valve: Nylon/Nitrile.

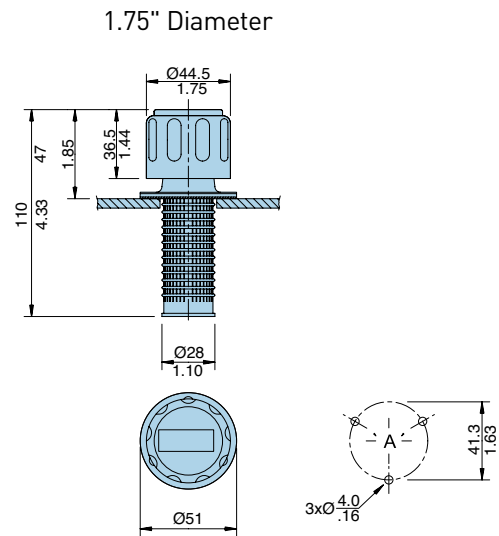
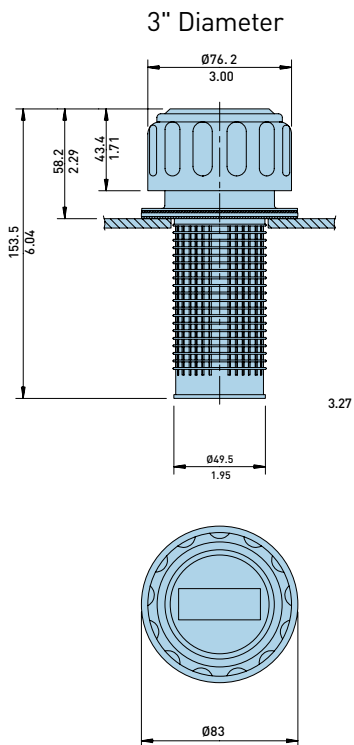
**Gasket:** Cork.

**Filtration Element:** Expanded polyurethane foam, 10 micron.

**Operating Temperatures:** -22°F (-30°C) to 195°F (90°C).

**Seals:** Nitrile.

**Pressurization Options:** none, 5 psi (0.35 bar).



Linear Measurement =  $\frac{\text{mm}}{\text{in}}$

#### Flange Type, Non-pressurized

New Part No.	Obs. Part No.	New Part (Cap As.)	Obs. Part (Cap As.)	Micron Rtg	Air Flow	Description	Screws
AB.1163.10	MB1.D1A1B1P	CAP.1163.10	CP1.D1A1A1P	10	2 gal./sec. (7.5 l/sec.)	3" (76 mm) dia.	(6)-M10x.5
5561	MB1.D1A1B2P	Not Available	Not Available	10	2 gal./sec. (7.5 l/sec.)	3" (76 mm) dia., w/lck lug	(6)-M10x.5
AB.1380.10	MB1.A1A1B1P	CAP.1380.40	CP1.A2A1A1P	10	1.3 gal./sec. (5 l/sec.)	1.75" (44.5 mm) dia.	(6)-M10x.5

#### Flange Type, Pressurized

New Part No.	Obs. Part No.	New Part (Cap As.)	Obs. Part (Cap As.)	Micron Rtg.	Air Flow	Description	Screws
PAB.1730.10.5	MB1.D1C1B1P	CAP.1730.40.5	CP1.D1C1A1P	10	2 gal./sec. (7.5 l/sec.)	5 psi (.35 bar), 3" (76 mm) dia.	(6)-M10x.5



### Metal Breathers

#### Threaded Type

#### Specifications:

##### Materials:

Cap & Plate: Nickel chrome plated steel.  
Valve: Nylon/Nitrile.

**Gasket:** Cork.

**Filtration Element:** Expanded polyurethane foam, 10 micron.

**Operating Temperatures:** -22°F (-30°C) to 195°F (90°C).

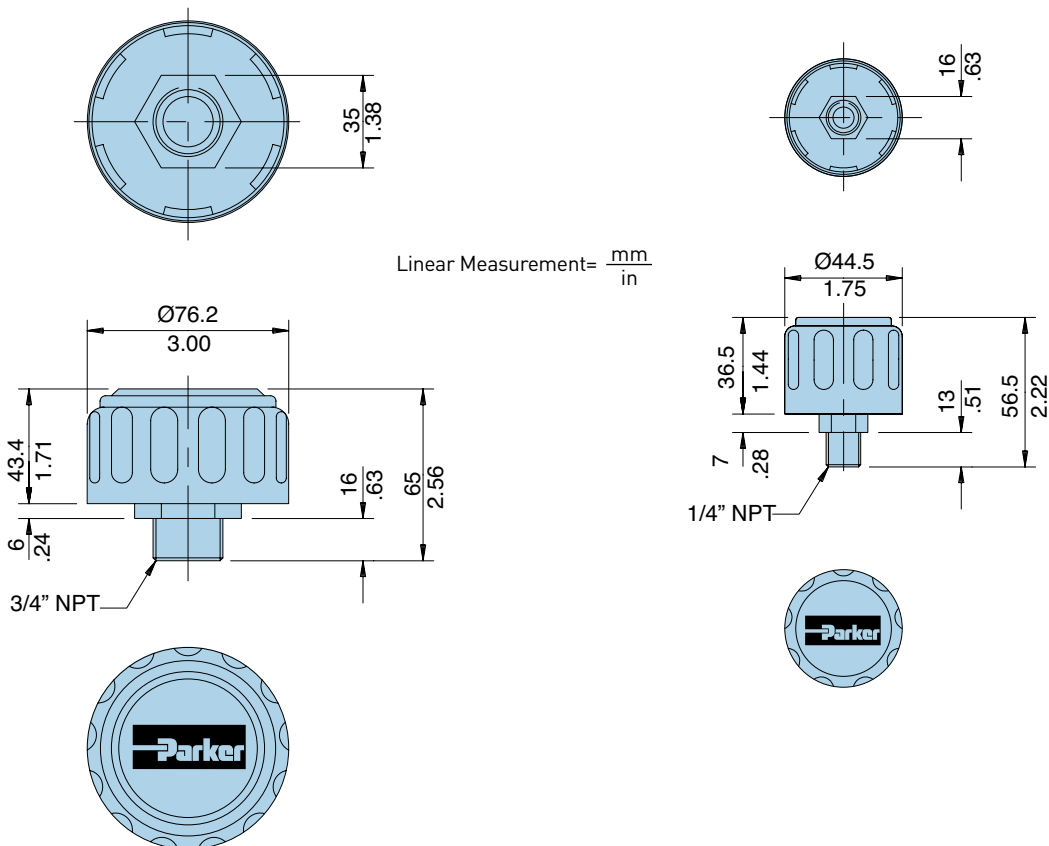
**Seals:** Nitrile.

**Pressurization Options:** none, 5 psi (0.35 bar).



3/4" Threaded

1/4" Threaded



#### Threaded, Non-pressurized

New Part Number	Obs. Part Number	Micron Rating	Air Flow	Thread	Description
SAB.1562.10.NPT	MB1.B1A3A1P	10	1.3 gallon/sec. (5 l/sec.)	3/4" NPT	3" (76 mm) diameter
SAB.1563.10.NPT	MB1.C1A3A1P	10	.7 gallon/sec. (2.5 l/sec.)	1/4" NPT	1.75" (44.5 mm) diameter

#### Threaded, Pressurized

New Part Number	Obs. Part Number	Micron Rating	Air Flow	Thread	Description
SPA.1731.10.5.NPT	MB1.B1C3A1P	10	2 gallon/sec. (7.5 l/sec.)	3/4" NPT	5psi (.35 bar) with 3" (76 mm) diameter