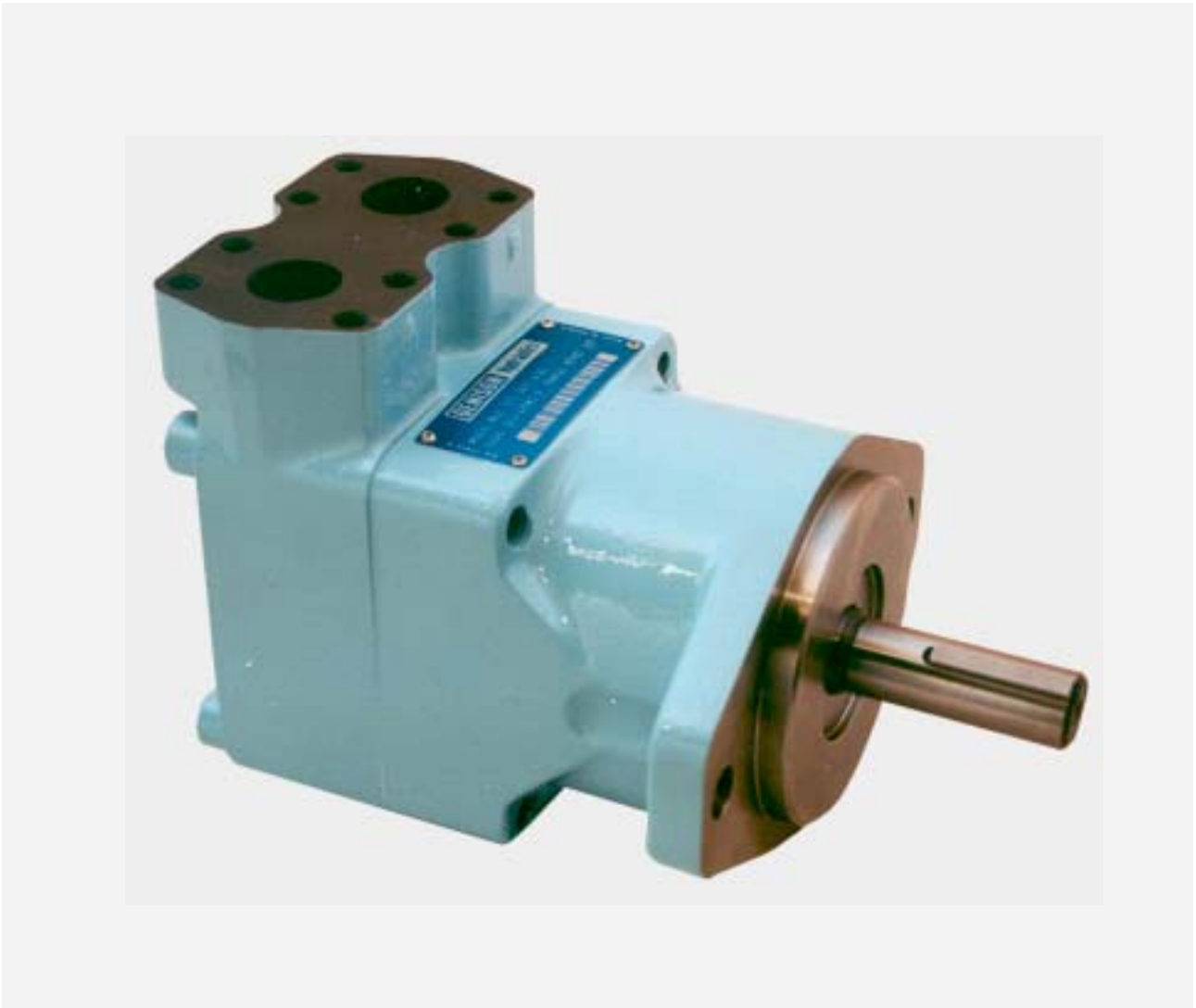




# Vane motors Single & double M3B - M4 / M4S series



Publ. 2 - AM 157 - B    07 / 97 / FB    Replaces : 2 - AM 157 - A



<b>GENERAL</b>	General characteristics.....	3
	Technical data.....	4
	General characteristics.....	4
	Maximum speeds.....	5
	Maximum speed and maximum continuous pressure.....	6
	Motor selection.....	7
	Description.....	8
	Ports.....	9
	Hydraulic fluids.....	9
	Shafts.....	10
	Minimum replenishment pressure.....	10
	Notes.....	11
<b>M3B</b>	Performance curves.....	12 & 13
	Ordering code, technical data and operating characteristics.....	20
	Dimensions.....	21
<b>M4C - M4SC</b>	Performance curves.....	14 & 15
	Ordering code, technical data and operating characteristics.....	22
	Dimensions.....	23
<b>M4D - M4SD</b>	Performance curves.....	16 & 17
	Ordering code, technical data and operating characteristics.....	24
	Dimensions.....	25
<b>M4E - M4SE</b>	Performance curves.....	18
	Ordering code, technical data and operating characteristics.....	26
	Dimensions.....	27
<b>M4DC - M4SDC</b>	Performance curves.....	14 to 17
	Ordering code and technical data.....	28
	Dimensions (rear ports) and operating characteristics.....	29
	Dimensions (side and opposite ports).....	30
	Notes.....	31
	Addresses.....	32



**HIGH STARTING TORQUE EFFICIENCY**

The high starting torque efficiency of vane type motors makes them especially applicable in load hoist winch drives, swing drives and propulsion drives. This high starting torque efficiency allows the motor to start under high load without pressure overshoots, jerks and high instantaneous horsepower loads.

**HIGH VOLUMETRIC EFFICIENCY**

Vane motors begin life with high volumetric efficiency and maintain that efficiency throughout their operating life.

**LOW TORQUE RIPPLE AT LOW SPEED**

When operating at very low speeds on applications such as swing and load hoist drives, the vane motor exhibits very low torque ripple.

**2 AND 3-SPEED VERSIONS AVAILABLE**

The M4DC, because of its unequal size cartridges, allows the use of-3 speed operation. This makes them more applicable in traction drive circuits to replace manually shifted gear-boxes. 2-speed motors are available in a wider range of ratios than standard gear motors.

**BALANCED DESIGN**

Vane, rotor and cam ring are pressure balanced to increase life and efficiency over full speed range.

**INTERCHANGEABLE ROTATING GROUPS**

Rotating groups may be easily replaced to renew the motor or change displacement to suit altered requirements for speed or torque.

**REVERSIBLE ROTATION**

The motors may be stopped or reversed repeatedly and rapidly driving or braking the connected shaft load at controlled torque levels.

**WIDE SPEED RANGE**

Starting to maximum RPM, with full torque capability during acceleration.

**PORTS AND MOUNTING**

Conform fully to SAE J744c (ISO-3019-1) standards to simplify refitting and installation.

**FIRE RESISTANT FLUIDS**

Are easily used in the standard M3B and M4\* versions of these motors. These include phosphate or organic ester fluids and blends, water-glycol solutions and water-oil invert emulsions.

**M3B AND M4\* SERIES MOTORS**

The M3B and M4\* have been designed especially for severe duty applications which require high pressure up to 3400 PSI, high speed up to 4000 RPM and low fluid lubricity (HF-1, HF-2A, HF-3, HF-4, HF-5).

**TECHNICAL DATA - M3B AND M4\* SERIES**

Series	Size	Displ.	Theor. Displ.	Torque T	Power at	Torque T	Power P	
			$V_i$ in <sup>3</sup> /rev.	in.lbf/PSI	100 Rev/min HP/100 PSI	n = 2000 RPM at $\Delta p$ 2500 PSI		
						in.lbf	HP	
M3	B B1	009	.56	0.08	0.014	174.3	5.8	
		012	.75	0.11	0.018	236.3	7.8	
		018	1.13	0.19	0.030	412.4	13.4	
		027	1.70	0.30	0.046	680.5	21.8	
		036	2.26	0.38	0.060	902.6	28.3	
M4	C C1 SC SC1	024	1.49	0.24	0.037	535.4	17.0	
		027	1.72	0.28	0.043	619.5	19.7	
		031	2.11	0.33	0.054	768.0	24.1	
		043	2.84	0.45	0.072	1062.0	33.6	
		055	3.59	0.57	0.091	1318.6	41.8	
		067	4.34	0.69	0.111	1504.5	47.7	
		075	4.89	0.78	0.120	1752.2	55.6	
	D D1 SD SD1	062	3.97	0.63	0.102	1460.0	46.4	
		074	4.69	0.75	0.120	1770.0	56.2	
		088	5.56	0.88	0.139	2088.5	66.2	
		102	6.44	0.96	0.166	2336.3	74.1	
		113	7.12	1.13	0.185	2655.0	84.2	
		128	8.08	1.28	0.203	3009.0	95.5	
		138	8.81	1.40	0.222	3292.0	104.5	
	E E1 SE/SE1	153	9.67	1.54	0.240	3522.0	111.8	
		185	11.69	1.86	0.296	4283.2	136.0	
		214	13.55	2.16	0.342	5017.7	159.3	
	DC DC1 SDC SDC1	See M4C/C1/SC/SC1 and M4D/D1/SD/SD1						

Internal drain : All these motors may be equipped with internal drain. Then the model numbers will be M3B1, M4C1, M4SC1, M4D1, M4SD1, M4E1, M4SE1, M4DC1, M4SDC1.

For further information or if the performance characteristics outlined above do not meet your own particular requirements, please consult your local DENISON Hydraulics office.

**GENERAL CHARACTERISTICS**

	Mounting standard	Weight without connector and bracket - lbs	Moment of inertia lb.in <sup>2</sup>	Option for inlet and outlet port
M3B	SAE J744c ISO/3019-1 SAE A	17.6	1.03	SAE threaded SAE 4 bolt J718c ISO/DIS 6162-1 - 3/4" BSPP threaded
M4C/SC	SAE J744c ISO/3019-1 SAE B	34.0	2.7	SAE threaded SAE 4 bolt J718c ISO/DIS 6162-1 - 1"
M4D/SD	SAE J744c ISO/3019-1 SAE C	59.5	1.4	SAE threaded SAE 4 bolt J718c ISO/DIS 6162-1 - 1 1/4"
M4E/SE	SAE J744c ISO/3019-1 SAE C	99.0	20.0	SAE threaded SAE 4 bolt J718c ISO/DIS 6162-1 - 2"
M4DC/SDC	SAE J744c ISO/3019-1 SAE C	88.0	10.0	SAE 4 bolt J718c ISO/DIS 6162-1 - 1 1/4" <b>P2 = See M4C/M4SC</b>



**MAXIMUM SPEED, PRESSURE RATINGS - M3B AND M4\* SERIES**

Series	Size	Displ.	Max. pressure					Operating pressure range drain	Max. speed for low loaded condition <sup>1)</sup>	Max. speed for max. pressure ratings						
			HF-0	HF-2A	HF-1	HF-3	HF-4			HF-0, HF-2		HF-2A		HF-1		
			HF-2			HF-5				Cont.	Int. <sup>2)</sup>	Cont.	Int. <sup>2)</sup>	Cont.	Int. <sup>2)</sup>	
			PSI	PSI	PSI	PSI	PSI	PSI	RPM	RPM	RPM	RPM	RPM	RPM	RPM	
M3	B B1	009	2500						22	4000	3000	3600				
		012	3000													
		018														
		027														
		036														
M4	C C1	024	2500	2500	2500			50	4000	2500	3600	2500	3000	2000	2500	
		027														
		031														
		043														
		055														
		067														
		075														
		SC SC1				024	3400									3000
	027															
	031															
	043															
	055															
	067															
	075															
	D D1	062	2500	2500	2000				4000	2500	3000	2500	2800	2000	2500	
		074														
		088														
		102														
		113														
		128														
		138														
	SD SD1	062	3400	2700	2000	2000	2000		4000	2500	3000	2500	2800	1800	2200	
		074														
		088														
		102														
		113														
		128														
		138														
	E E1	153	2500	2500	2000				3600	2500	3000	2500	2800	1800	2200	
		185														
		214														
	SE SE1	153	2700	2500	2000	2000	2000		4000	2500	3000	2500	2800	2000	2500	
185																
214																
DC DC1	All models	2500	2500	2000			4000	2500	3000	2500	2800	2000	2500			
SDC SDC1	D-062 at 088	3400	2700	2000	2000	2000	4000	2500	3000	2500	2800	2000	2500			
	C-024 at 043															
	D-102															
	D-113															
	C-055															
	C-067															
	D-128															
	D-138															
C-075																

1) Low loaded condition 500 PSI for M3 and M4, 1160 PSI max. for M4S (see page 6).

2) Intermittent speed - Do not exceed 6 seconds per minute of operation.

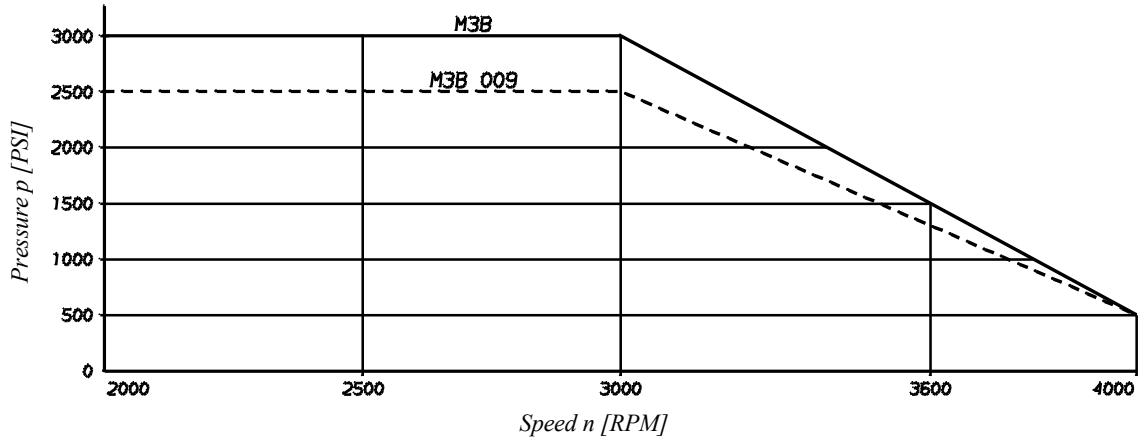
HF-0, HF-2 = Antiwear petroleum base. HF-2A = Crankcase. HF-1 = Non antiwear petroleum base. HF-5 = Synthetic fluids.

HF-3 = Water in oil emulsions. HF-4 = Water glycols.

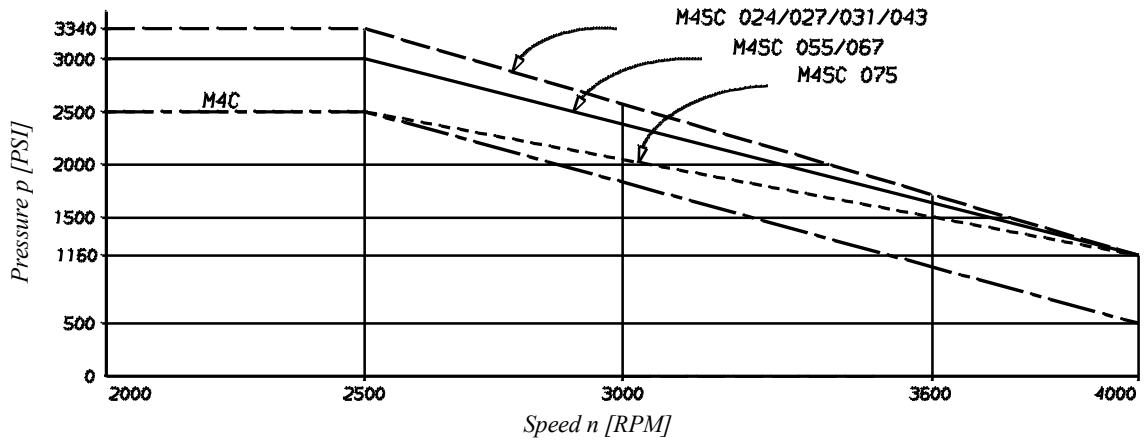
Internal drain : All these motors may be equipped with internal drain. Then the model numbers will be M3B1, M4C1, M4SC1, M4D1, M4SD1, M4E1, M4SE1, M4DC1, M4SDC1.

MAX. SPEED AND MAX. CONTINUOUS PRESSURE - M3B AND M4\* SERIES

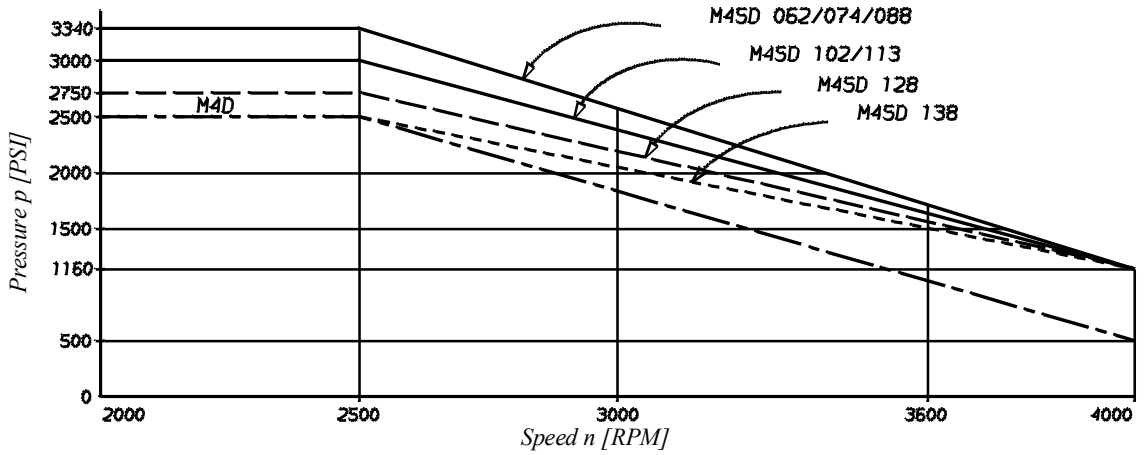
M3B



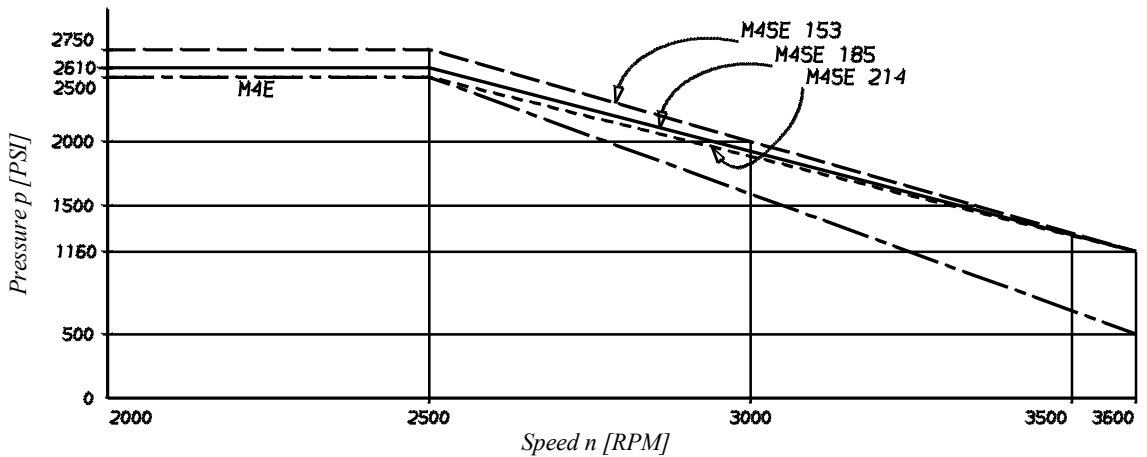
M4C/M4SC



M4D/M4SD



M4E/M4SE



*Performances required*

Torque	$T$ [in.lbf]	1240
Pump flow (available) at 115 SUS	$q_{ve}$ [GPM]	30.4
Speed	$n$ [RPM]	1500
Pressure	$p$ [PSI]	2500

1. Check if available power is compatible with required power (0.85 estimated overall efficiency).

$$0.85 \times \frac{Q_{ve} \times p}{1714} \geq \frac{T \times RPM}{63025}$$

$$0.85 \times \frac{30.4 \times 2500}{1714} \geq \frac{1240 \times 1500}{63025}$$

$$37.7 > 29.5$$

Two ways of calculation :

2a. Calculate  $V_i$  from  $T$  required torque

$$V_i = \frac{2 \pi \times T}{p} = \frac{2 \pi \times 1240}{2500} = 3.12 \text{ in}^3/\text{rev.}$$

3a. Motor choose from  $V_i$  immediately greater

$$M4C 055 V_i = 3.59 \text{ in}^3/\text{rev.}$$

4a. Check real motor pressure for

$$T = 1240 \text{ in.lbf around } 1500 \text{ RPM}$$

$$M4C 055 T = 1240 \text{ in.lbf } n = 1500 \text{ RPM}$$

$$p = 2370 \text{ PSI (see page 15)}$$

5a. Flow loss M4C 055 at 2370 PSI at 115 SUS

$$q_{vs} = 4.2 \text{ GPM (see page 22)}$$

$$\text{Real flow used by the motor :}$$

$$q_V = q_{ve} - q_{vs} = 30.4 - 4.2 = 26.2 \text{ GPM}$$

6a. Real speed of the motor :

$$n = \frac{q_V \times 231}{V_i} = \frac{26.2 \times 231}{3.59} = 1686 \text{ RPM}$$

Real performances

$V_i$	=	3.59 in <sup>3</sup> /rev.	} M4C 055
$n$	=	1680 RPM	
$T$	=	1240 in.lbf	
$p$	=	2370 PSI	

2b. Calculate  $V_i$  from  $q_{ve}$  available flow

$$V_i = \frac{30.4 \times 231}{1500} = 4.68 \text{ in}^3/\text{rev.}$$

3b. Motor choose from  $V_i$  immediately smaller

$$M4C 067 V_i = 4.34 \text{ in}^3/\text{rev. (see page 22)}$$

4b. Check motor press. with  $T = 1240$  in.lbf at 1500 RPM

$$M4C 067 T = 1240 \text{ in.lbf } n = 1500 \text{ RPM}$$

$$p = 2030 \text{ PSI (see page 15)}$$

5b. Flow loss of M4C 067 at 2030 PSI at 115 SUS

$$q_{vs} = 3.7 \text{ GPM (see page 22)}$$

$$\text{Real flow used by the motor :}$$

$$q_V = q_{ve} - q_{vs} = 30.4 - 3.7 = 26.7 \text{ GPM}$$

6b. Real speed of the motor :

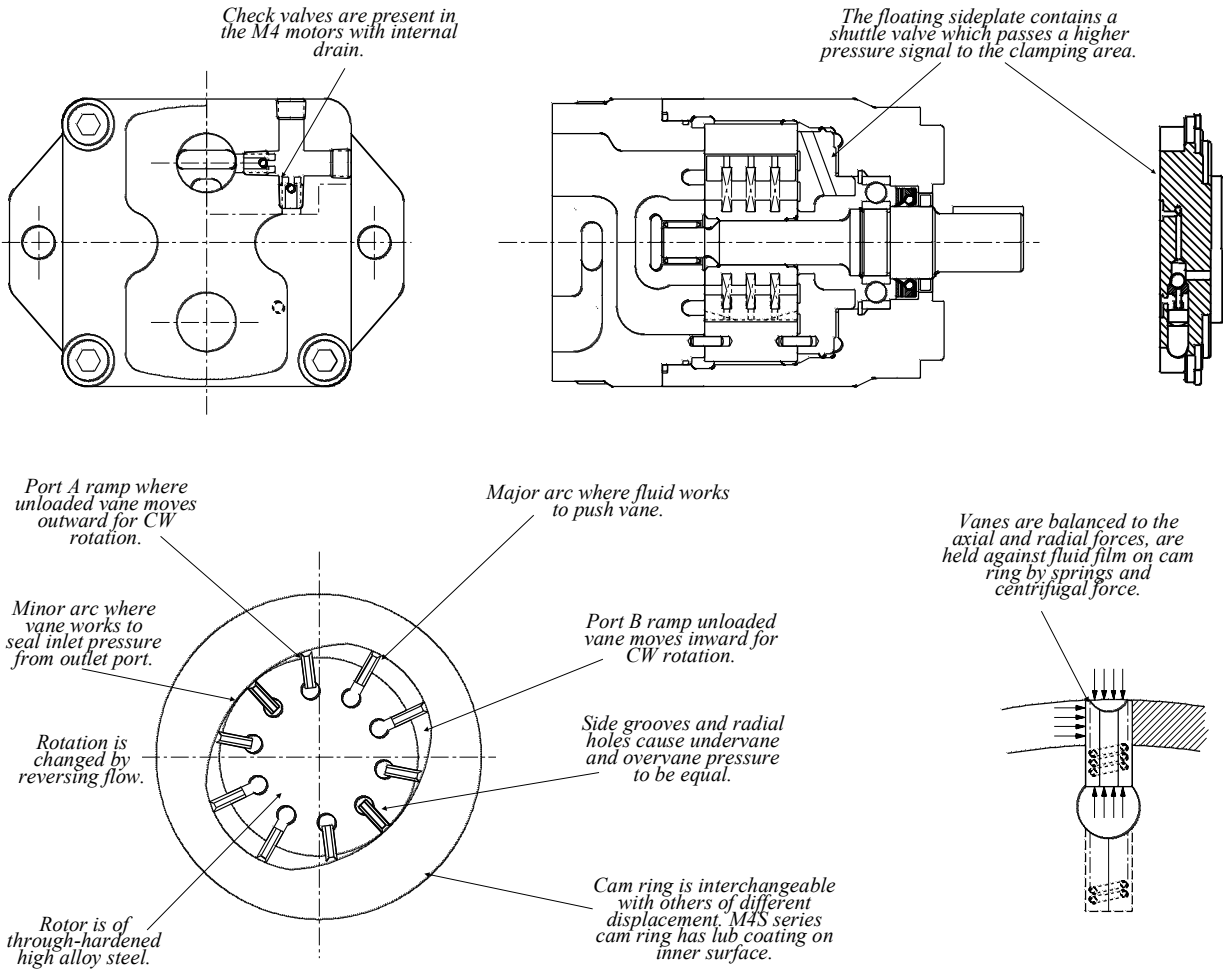
$$n = \frac{q_V \times 231}{V_i} = \frac{26.7 \times 231}{4.34} = 1420 \text{ RPM}$$

Real performances

$V_i$	=	4.34 in <sup>3</sup> /rev.	} M4C 067
$n$	=	1420 RPM	
$T$	=	1240 in.lbf	
$p$	=	2030 PSI	

In each case always choose the smallest motor which will operate at the highest speed and pressure, and offers the most efficient solution.

## DESCRIPTION - M3\* AND M4\* SERIES



### OPERATION - SINGLE CARTRIDGE

- The motor shaft is driven by the rotor. Vanes, closely fitted into the rotor slots move radially to seal against the cam ring. The ring has two major and two minor radial sections joined by transitional sections called ramps. These contours and the pressures exposed to them are balanced diametrically.
- Light springs urge the vanes radially against the cam contour assuring a seal at zero speed so the motor can develop starting torque. The springs are assisted by centrifugal force at higher speeds. Radial grooves and holes through the vanes equalize radial hydraulic forces on the vanes at all times. Fluid enters and leaves the motor cartridge through opening in the side plates at the ramps. Each motor port connects to two diametrically opposed ramps. Pressurized fluid entering at Port A torques the rotor clockwise. The rotor transports it to the ramp openings which connect to Port B from which it returns to the low pressure side of the system. Pressure at Port B torques the rotor counter-clockwise.
- The rotor is separated axially from the sideplate surfaces by the fluid film. The front sideplate is clamped against the cam ring by the pressure, maintains optimum clearance as dimensions change with temperature and pressure. A 3-way shuttle valve in the sideplate causes clamping pressure in Port A or B, whichever is the highest.
- Materials are chosen for long life efficiency. Vanes, rotor and cam ring are made out of hardened high alloy steels. Cast semi-steel sideplates are chemically etched to have a fine crystalline surface for good lubrication at start-up.

**PORTS  
EXTERNALLY DRAINED  
SINGLE CARTRIDGE MOTORS**

These motors may be alternately pressurized at Ports A & B to 3400 PSI max. Whichever port is at low pressure should not be subjected to more than 500 PSI. If it is necessary to exceed these limitations, please contact DENISON Hydraulics for application assistance.

**INTERNALLY DRAINED  
TANDEM CARTRIDGE MOTORS**

These motors must have a drain line connected to the center housing drain connection of sufficient size to prevent back pressure in excess of 50 PSI, and returned to the reservoir below the surface of the oil as far away from the supply pump suction as possible. Model M4DC1 does not require an external drain line, however the outlet pressure must not exceed 50 PSI.

**INTERNALLY DRAINED MOTORS  
(M4C1, M4D1, M4E1, M4DC1)**

May be alternately pressurized at Ports A & B to 3400 PSI max. Whichever port is at low pressure must not be subjected to more than 22 PSI for M3B, 50 PSI for M4\* (pressure peak 100 PSI).

To insure maximum motor performance in conjunction with your specific application, consult your DENISON Hydraulics Representative if your application requires :

- minimum speed of less than 100 RPM,
- indirect drive,
- overrunning loads,
- braking or retarding.

**M4S SEVERE DUTY MOTORS**

M4S motors are recommended to be used when back pressure is over 2000 PSI and speed is over 2000 RPM. They are also recommended when fluid viscosity can be under 115 SUS and speed over 2000 RPM. For such severe duty applications M4S motors will exhibit longer life time at high efficiency.

**RECOMMENDED FLUIDS**

Petroleum based antiwear R & O fluids.

These fluids are the recommended fluids for M3B and M4\* series motors. Maximum catalog ratings and performance data are based on operation with these fluids. These fluids are covered by DENISON Hydraulics HF-0 and HF-2 specifications.

Acceptable alternate fluids :

**ACCEPTABLE ALTERNATE  
FLUIDS**

The use of fluids other than petroleum based antiwear R & O fluids requires that the maximum ratings of the motors will be reduced. In some cases, the minimum replenishment pressures must be increased. Refer to the following chart and the operating characteristics chart for each M3B and M4\* motor model for specific details of the reduced ratings.

**VISCOSITY**

Max. (cold start, low speed & pressure)	_____	3900 SUS
Max. (full speed & pressure)	_____	500 SUS
Optimum (max. life)	_____	140 SUS
Min. (full speed & pressure for HF-1 fluid)	_____	89 SUS
Min. (full speed & pressure for HF-0 & HF-2 fluids)	_____	59 SUS

**VISCOSITY INDEX**

90° min. Higher values extend range of operating temperatures and life time.

Maximum fluid temperature (θ) °F

HF-0, HF-1, HF-2 \_\_\_\_\_ + 176°

Minimum fluid temperature (θ) °F

HF-0, HF-1, HF-2 \_\_\_\_\_ - 0.4°

**FLUID CLEANLINESS**

The fluid must be cleaned before and during operation to maintain contamination level of NAS 1638 class 8 (or ISO 18/14) or better. Filters with 25 micron (or better, β10 ≥ 100) nominal ratings may be adequate but do not guarantee the required cleanliness levels.

**OPERATING TEMPERATURES  
AND VISCOSITIES**

Operating temperatures are a function of fluid viscosities, fluid type, and the pump. Fluid viscosity should be selected to provide optimum viscosity at normal operating temperatures. For cold starts the pumps should be operated at low speed and pressure until fluid warms up to an acceptable viscosity for full power operation.

**WATER CONTAMINATION IN  
THE FLUID**

Maximum acceptable content of water.

- 0,10 % for mineral base fluids.
  - 0,05 % for synthetic fluids, crankcase oils, biodegradable fluids.
- If amount of water is higher then it should be drained off the circuit.

## SHAFTS AND MINIMUM REPLENISHMENT PRESSURE (PSI) - M3B AND M4\* SERIES

### SPLINED SHAFTS COUPLINGS SPLINES

- The mating female spline should be free to float and find its own center. If both members are rigidly supported, they must be aligned within .006 TIR or less to reduce fretting. The angular alignment of two spline axes must be less than  $\pm .002$  per 1".
- The coupling spline must be lubricated with a lithium molydisulfide grease or a similar lubricant.
- The coupling must be hardened to a hardness between 27 and 45 HRc.
- The female spline must be made to conform to the Class 1 fit as described in SAE-J498b (1971). This is described as a Flat Root Side Fit.

### KEYED SHAFT

DENISON Hydraulics supplies the M3B and M4\* series keyed shaft motors with high strength heat-treated keys. Therefore, when installing or replacing these motors, the heat-treated keys must be used in order to ensure maximum life in the application. If the key is replaced, it must be a heat-treated key between 27 and 34 R.C. hardness. The corners of the keys must be chamfered .03 to .04 at 45° to clear radii in the key way.

### NOTE

Alignment of keyed shafts must be within tolerances given for splined shafts.

### SHAFT LOADS

Axial or radial load are permissible. Consult specific sections for more details.

### MINIMUM REPLENISHMENT PRESSURE (PSI)

Series	Speed [RPM] - Oil viscosity = 150 SUS				
	500	1000	2000	3000	3600
<b>M3B</b>	8.7	14.5	27.6	50.8	84.2
<b>M4C/SC</b>	10.2	20.3	45.0	79.8	135.0
<b>M4D/SD</b>	10.2	20.3	45.0	79.8	135.0
<b>M4E/SE</b>	20.3	40.6	75.5	159.6	
<b>M4DC/SDC</b>					
<b>2-C-DC</b>	24.7	55.1	145.1	325.1	410.7
<b>2-D-DC</b>	16.0	24.7	79.8	155.3	219.2
<b>3-D-C-DC</b>	24.7	55.1	145.1	325.1	410.7

The inlet port of the fluid motor must be supplied with replenishment pressure as listed above to prevent cavitation during dynamic braking. These pressures should be multiplied by a coefficient of 1,5 for M4S motors used with fire resistant fluids (HF-3, HF-4, HF-5).

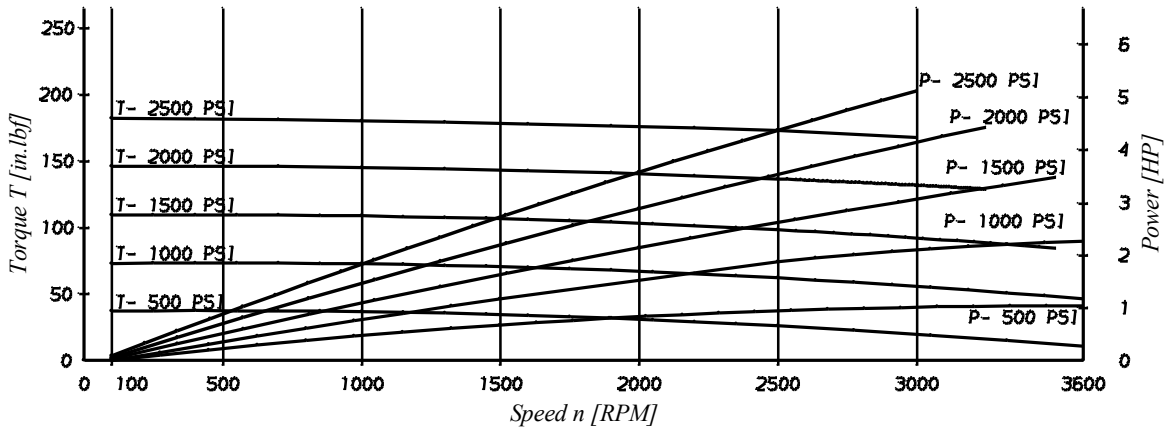
Replenishment pressure for tandem 2 & 3-speed motors must be provided during periods when the motor is dynamic braking, shutting down or coasting. When the motor is operating in the high speed mode and the nonworking cartridge is at low pressure, it is necessary to create a back pressure, as listed above, at the motor discharge port. The above mentioned minimum replenishment pressure chart is for maximum displacement cartridges. Smaller cartridges require lower minimum pressures.

Contact DENISON Hydraulics for further information.

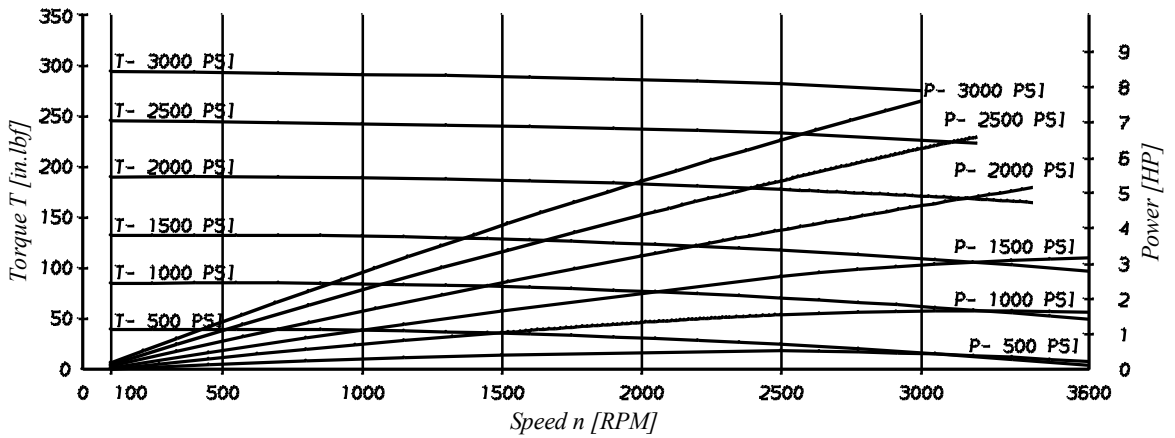


PERFORMANCE CURVES - OIL VISCOSITY : 115 SUS (45°) - M3B SERIES

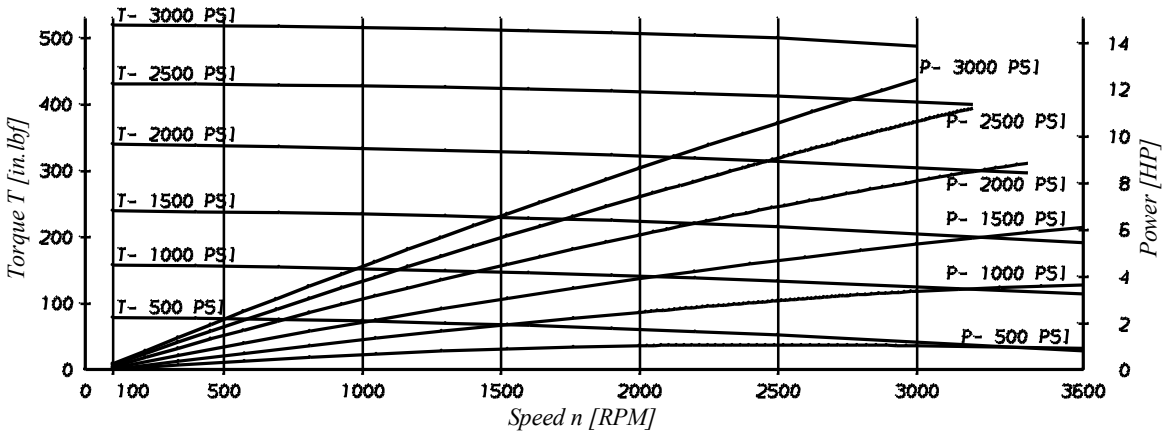
M3B 009



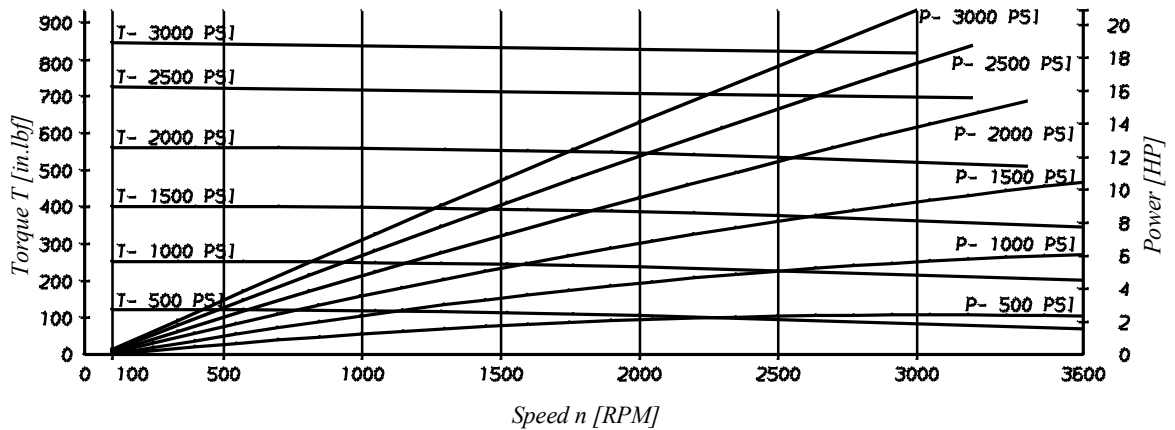
M3B 012



M3B 018



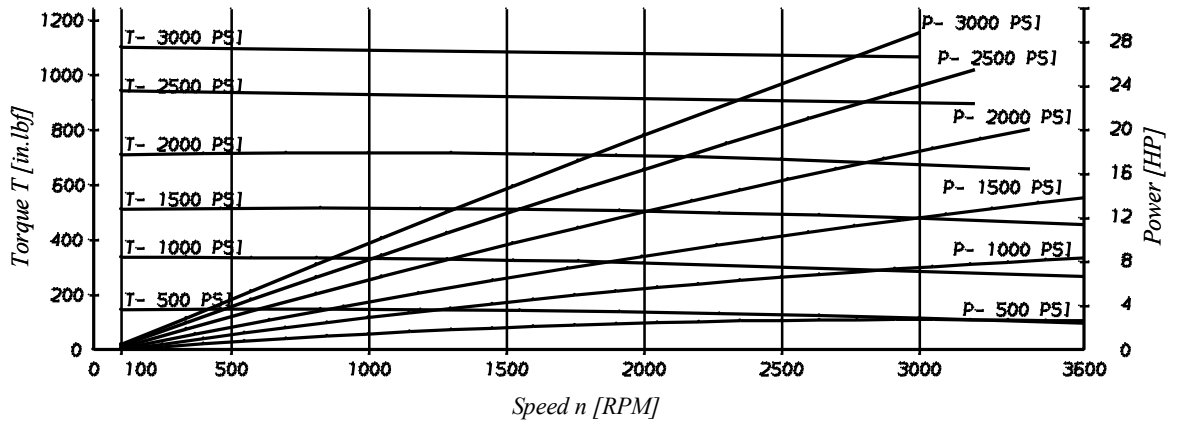
M3B 027





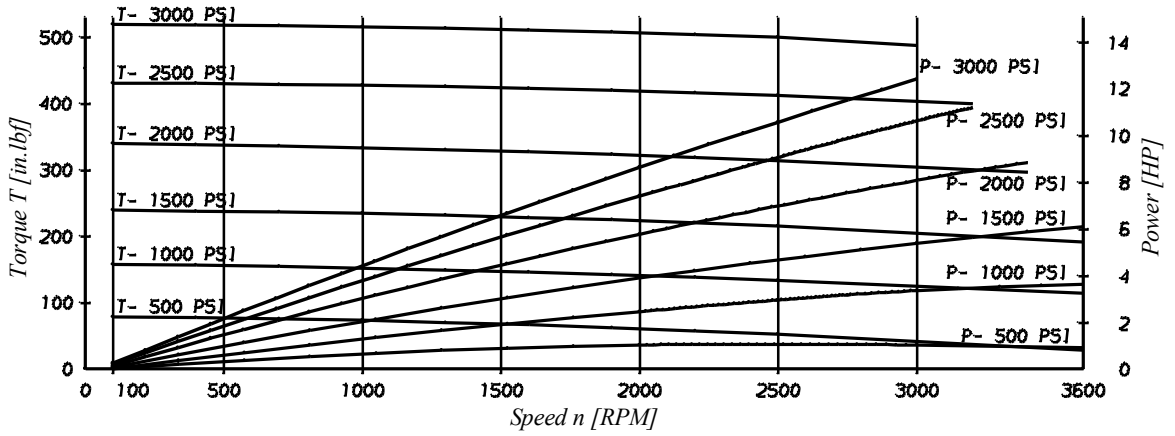
PERFORMANCE CURVES - OIL VISCOSITY : 115 SUS (45°) - M3B SERIES

M3B 036

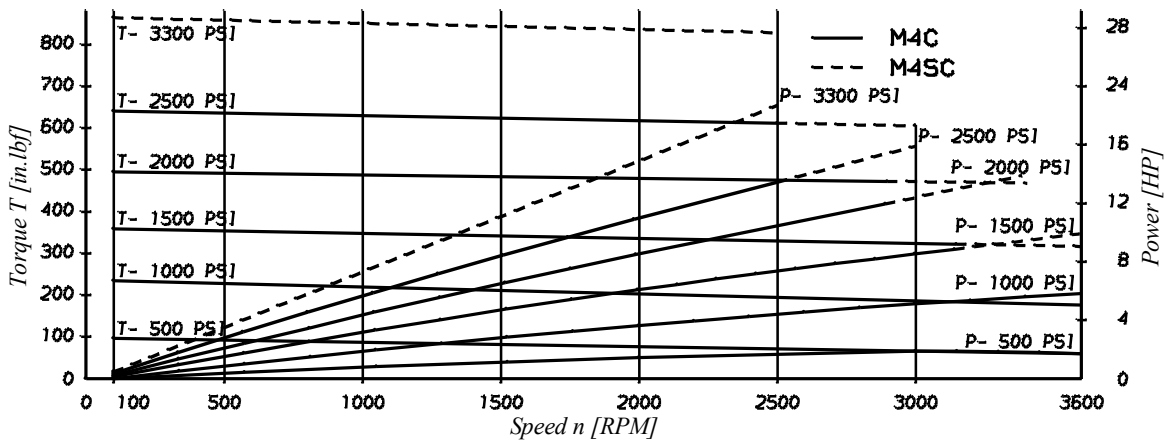


PERFORMANCE CURVES - OIL VISCOSITY : 115 SUS (45°) - M4\* SERIES

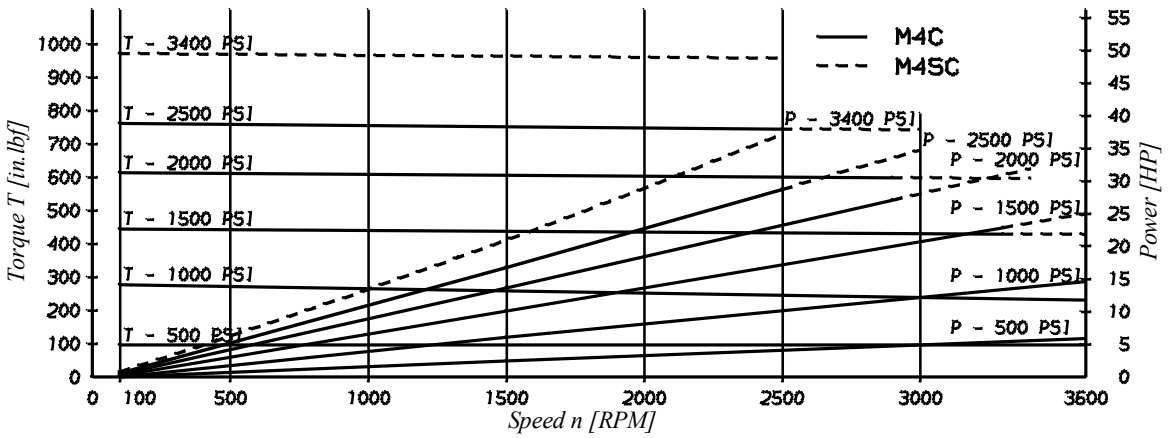
M4C 024



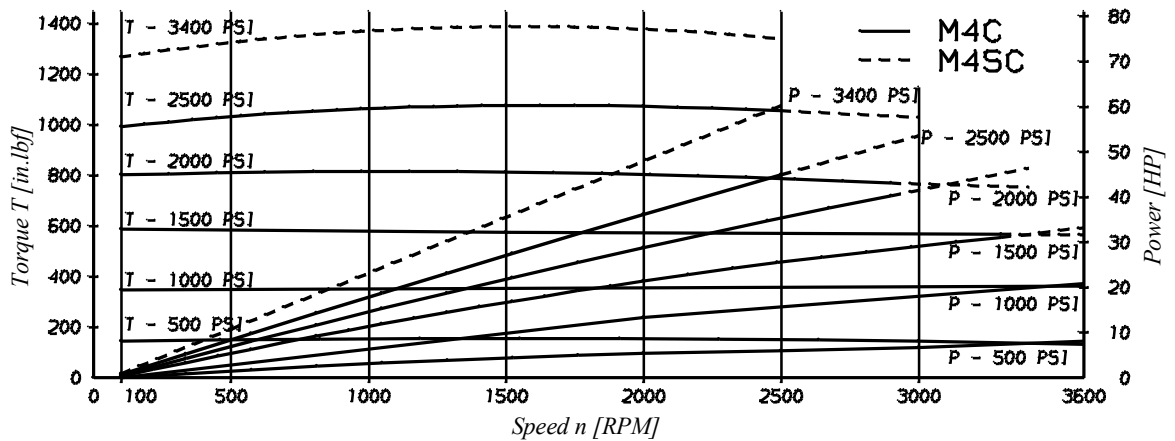
M4C 027



M4C 031

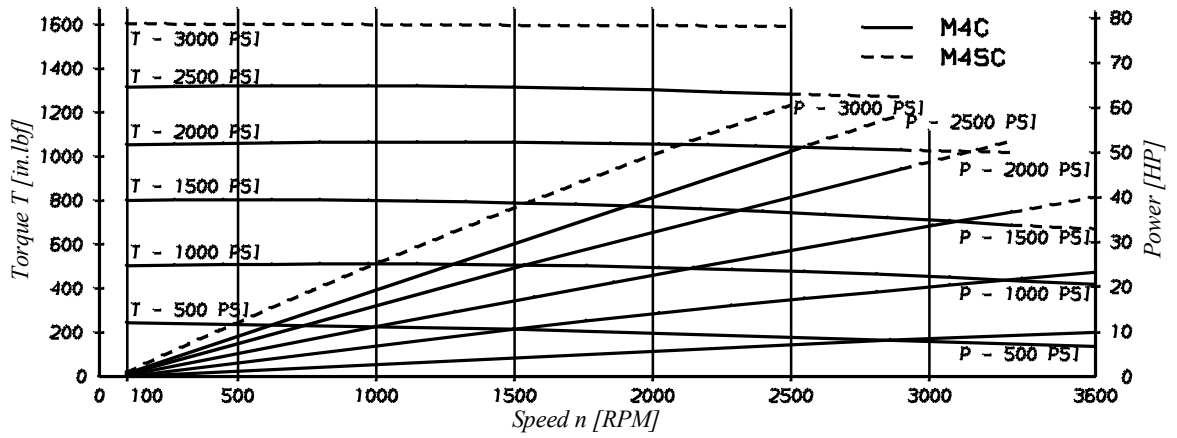


M4C 043

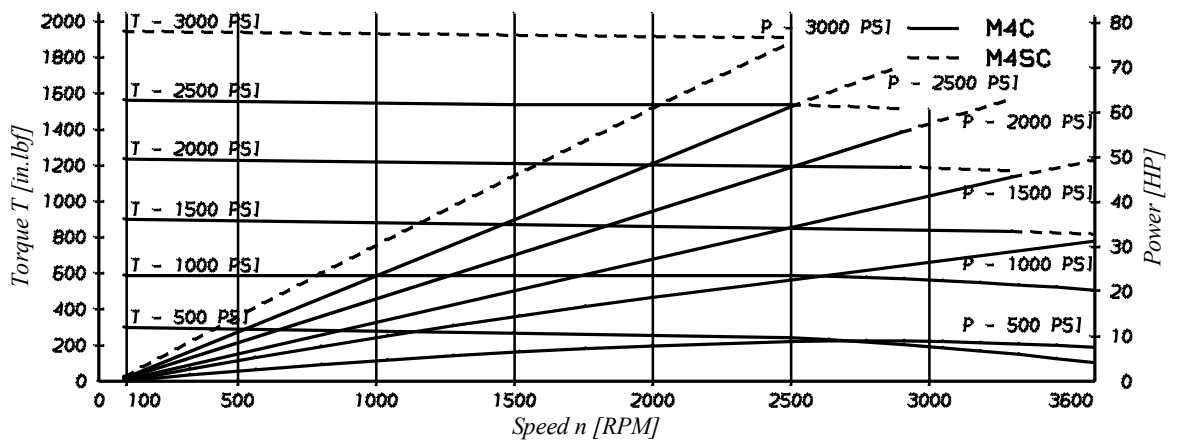


PERFORMANCE CURVES - OIL VISCOSITY : 115 SUS (45°) - M4\* SERIES

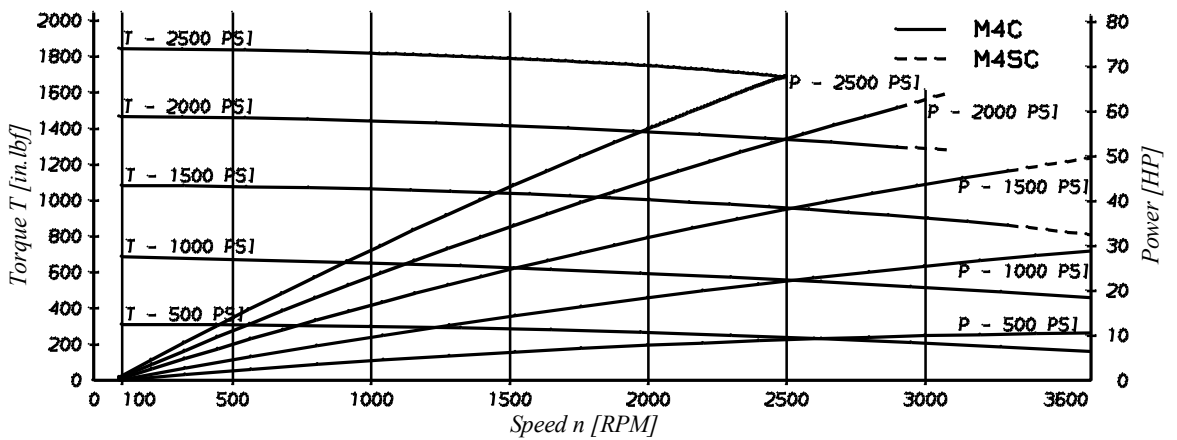
M4C 055



M4C 067

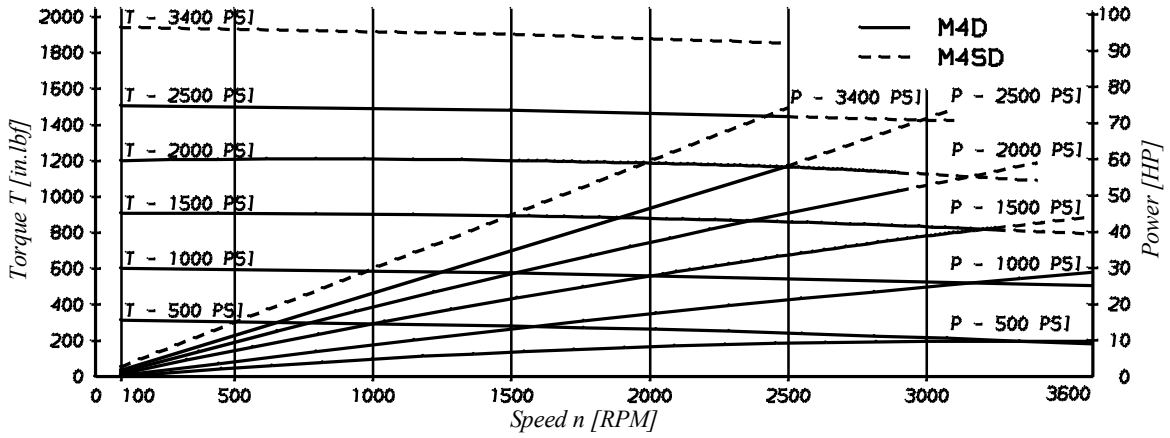


M4C 075

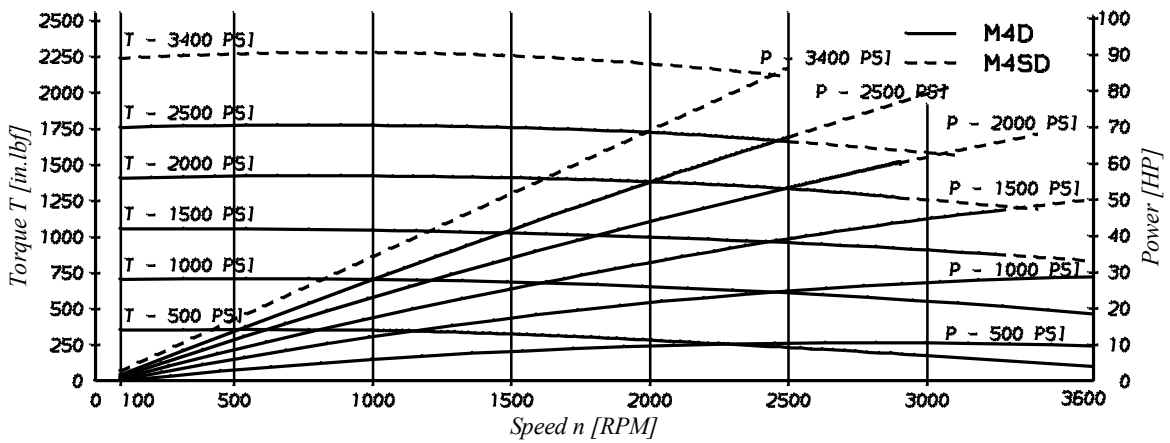


PERFORMANCE CURVES - OIL VISCOSITY : 115 SUS (45°) - M4\* SERIES

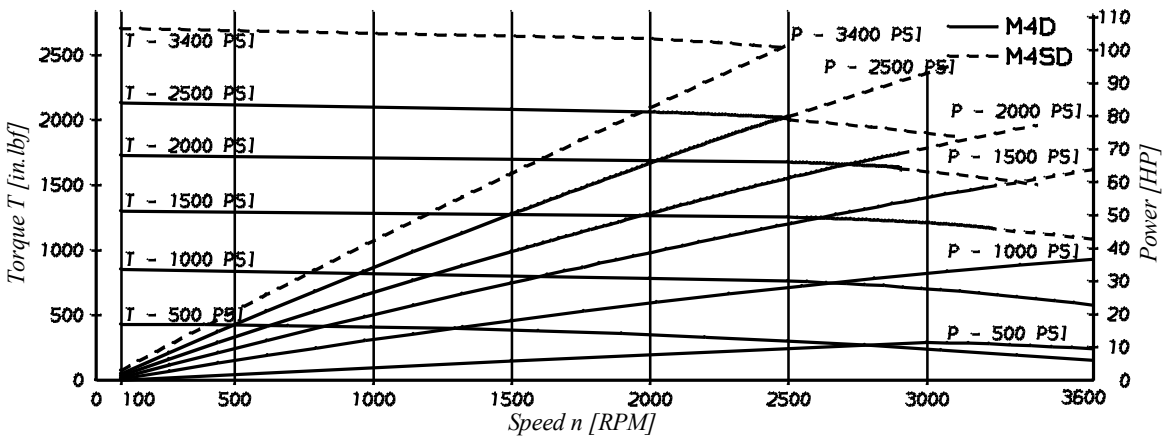
M4D 062



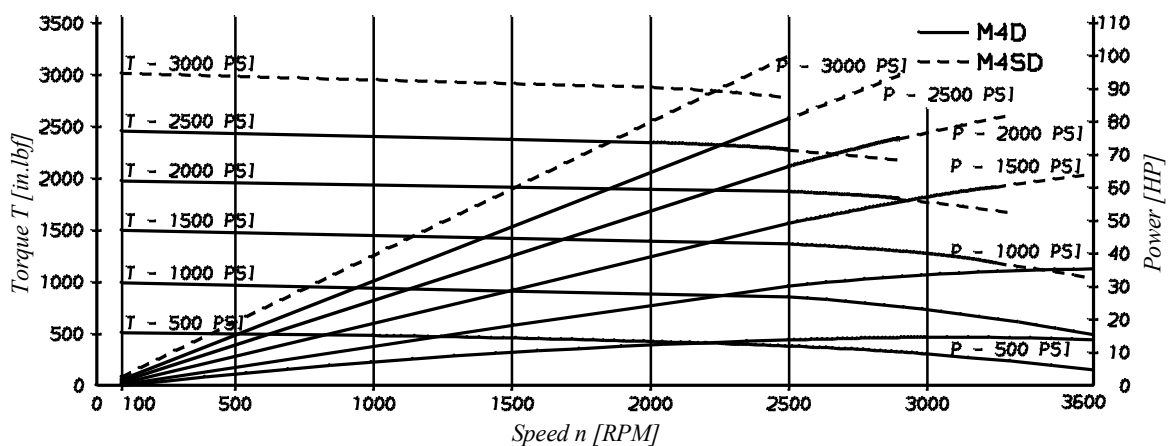
M4D 074



M4D 088

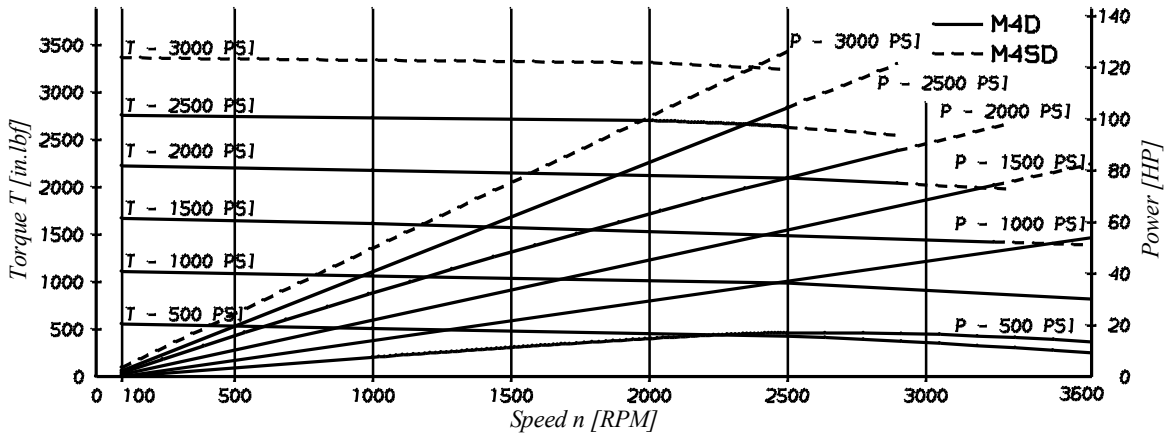


M4D 102

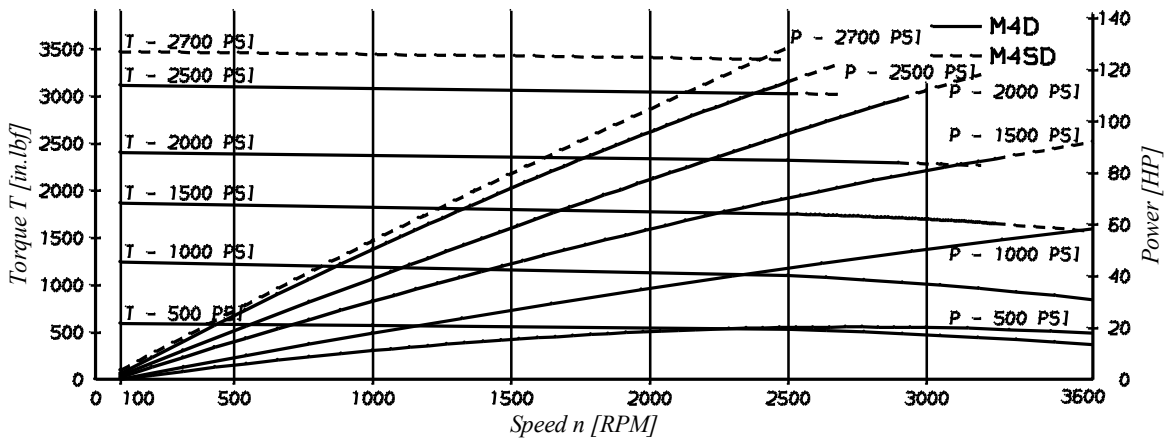


PERFORMANCE CURVES - OIL VISCOSITY : 115 SUS (45°) - M4\* SERIES

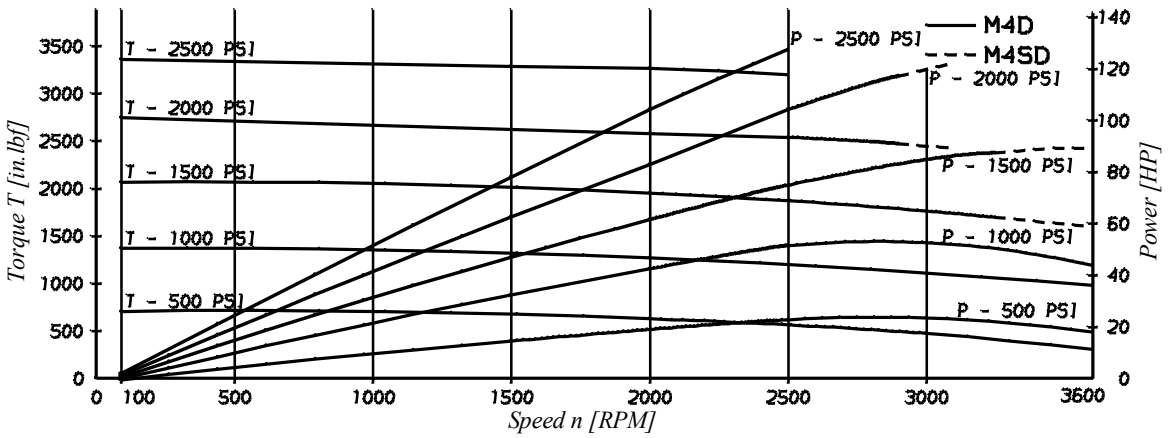
M4D 113



M4D 128

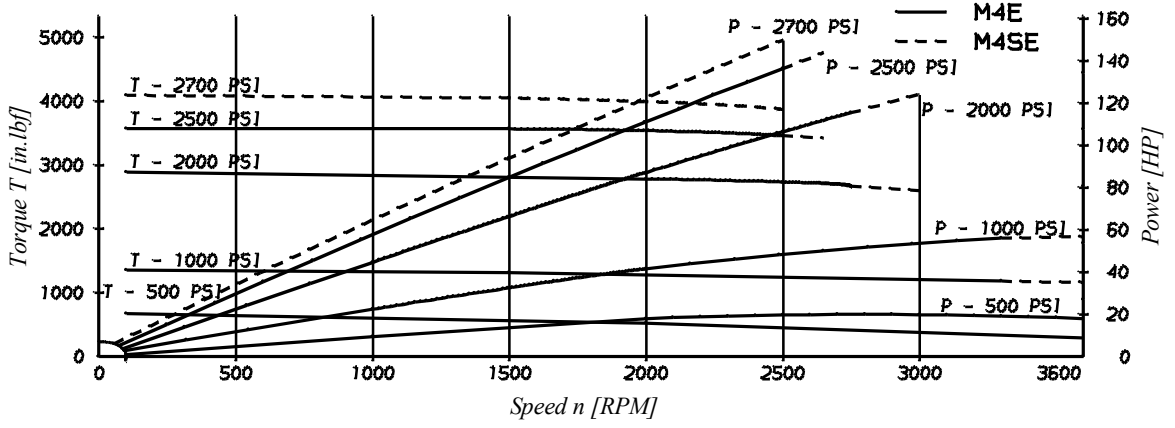


M4D 138

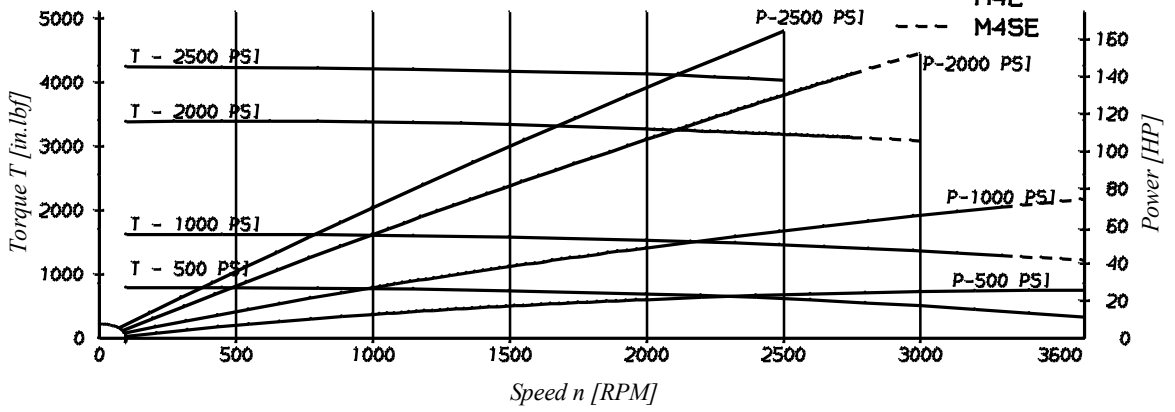


PERFORMANCE CURVES - OIL VISCOSITY : 115 SUS (45°) - M4\* SERIES

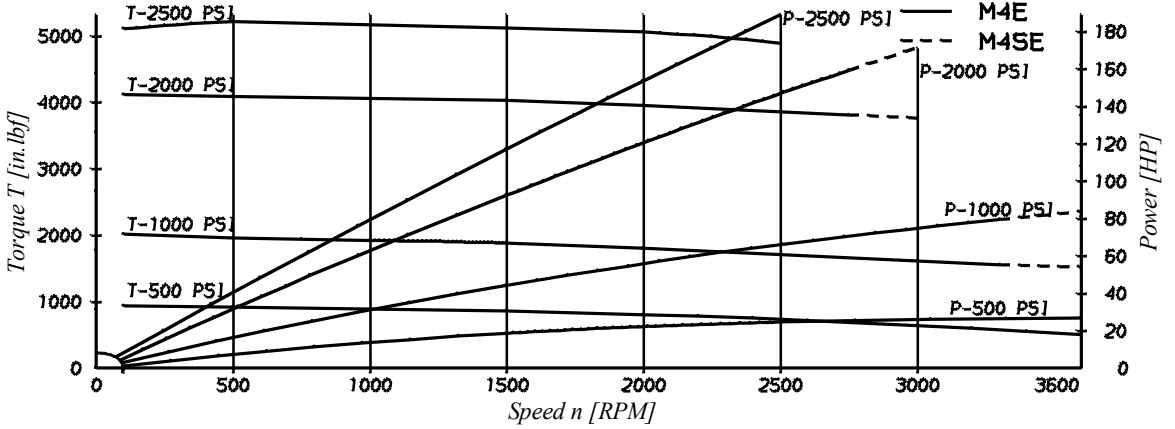
M4E 153



M4E 185



M4E 214





**ORDERING CODE - M3B SERIES**

**Model No.** M3B1  
M3B - 036 - 1 N 00 - B 1 01 ..

**Series external drain** \_\_\_\_\_  
**Series internal drain** \_\_\_\_\_  
**Torque** \_\_\_\_\_  
 009 = .08 in.lb/PSI  
 012 = .11 in.lb/PSI  
 018 = .19 in.lb/PSI  
 027 = .30 in.lb/PSI  
 036 = .38 in.lb/PSI

**Type of shaft** \_\_\_\_\_  
 1 = keyed (non SAE)  
 3 = splined (SAE A)  
 4 = splined (SAE B)

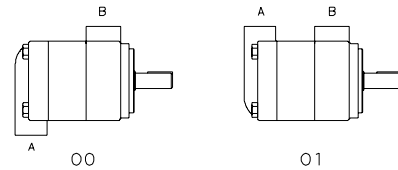
**Rotation** \_\_\_\_\_  
 N = bi-directional

**Modification** \_\_\_\_\_  
**Port connections**  
 00 = SAE threaded port  
     SAE drain  
 01 = SAE 4 bolt flange  
     BSPP drain  
 02 = BSPP threaded port  
     BSPP drain

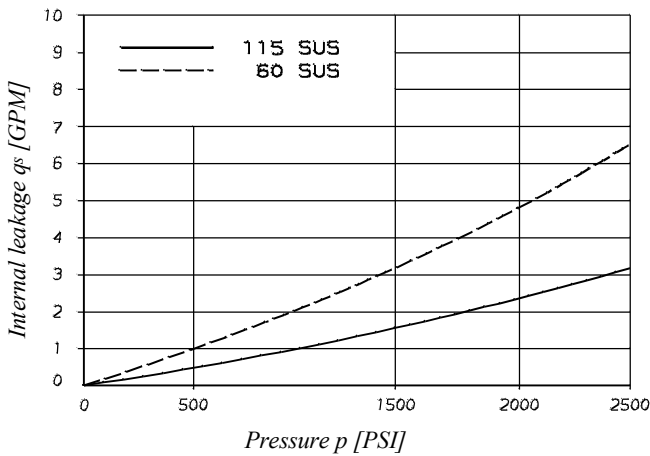
**Seal class**  
 1 = S1 - BUNA N  
 4 = S4 - EPDM  
 5 = S5 - VITON

**Design letter** \_\_\_\_\_  
**Porting combination**  
 00 = standard

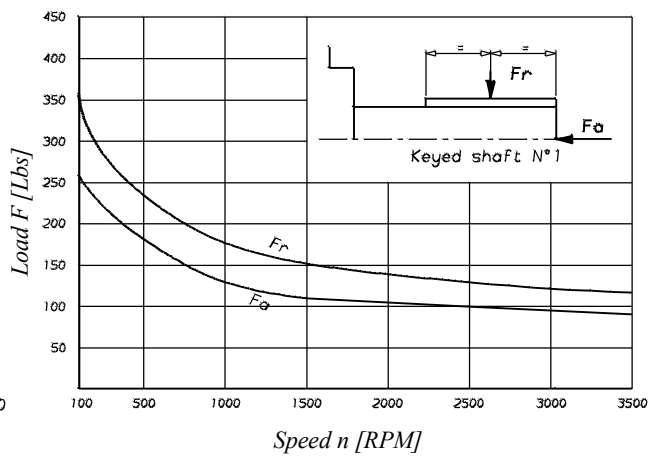
**View from shaft end :**  
 CW rotation    A = inlet    CCW rotation    A = outlet  
                   B = outlet                                    B = inlet



**INTERNAL LEAKAGE**



**PERMISSIBLE RADIAL AND AXIAL LOADS**

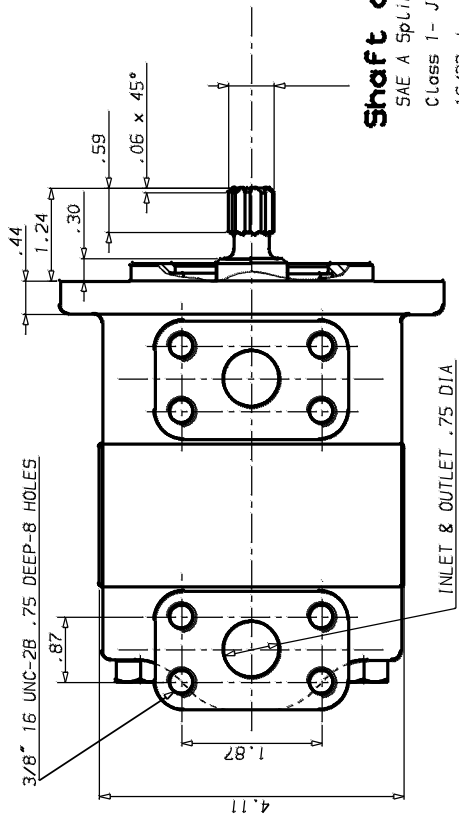


*Do not apply Fr and Fa loads simultaneously*

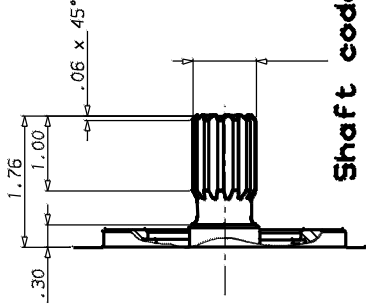
**OPERATING CHARACTERISTICS - TYPICAL [115 SUS]**

Model	Volumetric displacement $V_i$ in <sup>3</sup> /rev.	Input flow at n = 2000 RPM		Torque T	Power output
		Theoretical GPM	at 2500 PSI $\Delta p$ GPM	at n = 2000 RPM	at n = 2000 RPM
				at 2500 PSI $\Delta p$ in.lbf	at 2500 PSI $\Delta p$ HP
M3B 009	.56	4.9	8.0	174.3	5.8
M3B 012	.75	6.5	9.7	236.3	7.8
M3B 018	1.13	9.8	12.9	412.4	13.4
M3B 027	1.70	14.7	17.8	680.5	21.8
M3B 036	2.26	19.6	22.8	902.6	28.3





**PORT CONNECTION 01**

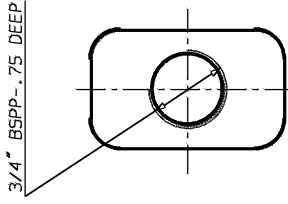


**Shaft code 3**

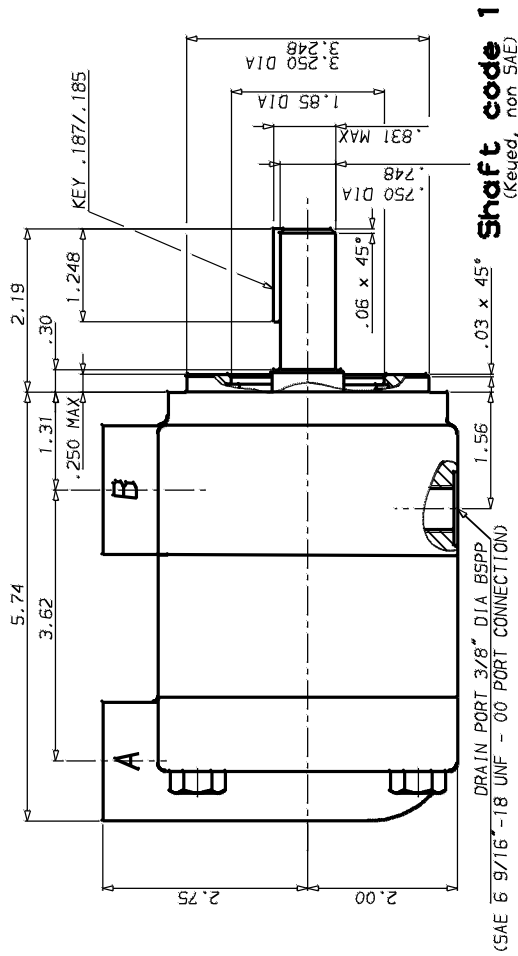
SAE A Splined shaft  
Class 1 - J498b  
16/32 d.p., -9 teeth  
30° pressure angle  
Flat root side fit

**Shaft code 4**

SAE B Splined shaft  
Class 1 - J498b  
16/32 d.p., -13 teeth  
30° pressure angle  
Flat root side fit

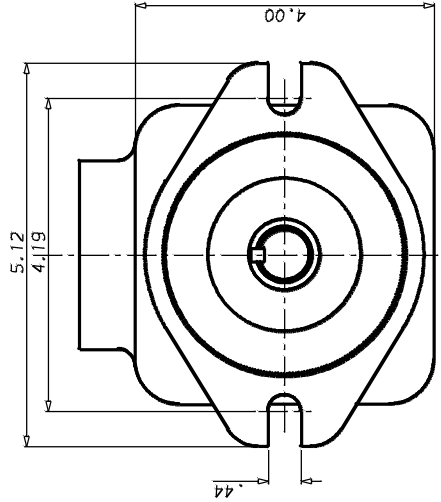


**PORT CONNECTION 02**



**Shaft code 1**

(Keyed, non SAE)



**PORT CONNECTION 00**

**ORDERING CODE - M4C - M4SC SERIES**

**Model No.** M4\*C1  
M4\*C - 067 - 1 N 00 - A 1 02 ..

**Series external drain** \_\_\_\_\_

**Series internal drain** \_\_\_\_\_

**Torque** \_\_\_\_\_

024 = .24 in.lb/PSI  
027 = .28 in.lb/PSI  
031 = .33 in.lb/PSI  
043 = .45 in.lb/PSI  
055 = .57 in.lb/PSI  
067 = .69 in.lb/PSI  
075 = .78 in.lb/PSI

**Type of shaft** \_\_\_\_\_

1 = keyed (SAE B)  
2 = keyed (non SAE)  
3 = splined (SAE B)

**Rotation** \_\_\_\_\_

N = bi-directional

**Modification** \_\_\_\_\_

**Port connections**  
01 = SAE threaded port  
SAE drain  
02 = SAE 4 bolt flange  
UNC threaded - SAE drain  
04 = SAE 4 bolt flange  
UNC threaded - BSPP drain  
M4 = SAE 4 bolt flange  
metric threaded - BSPP drain

**Seal class**  
1 = S1 (M4C)  
5 = S5 (M4SC)

**Design letter** \_\_\_\_\_

**Porting combination**  
00 = standard

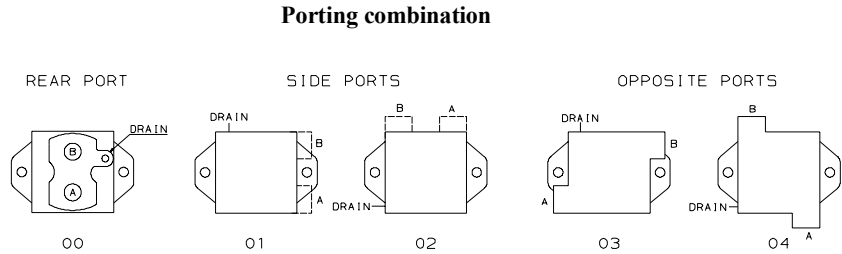
\* = S = Severe duty motor.

M4C1 - M4SC1 : Drain port is plugged.

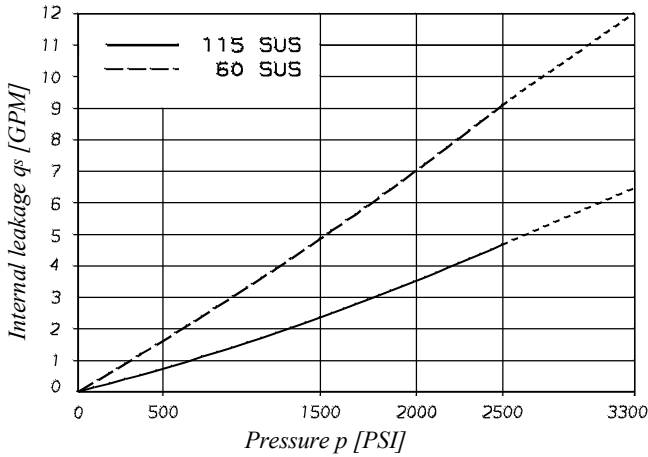
**View from shaft end :**

CW rotation A = inlet  
B = outlet

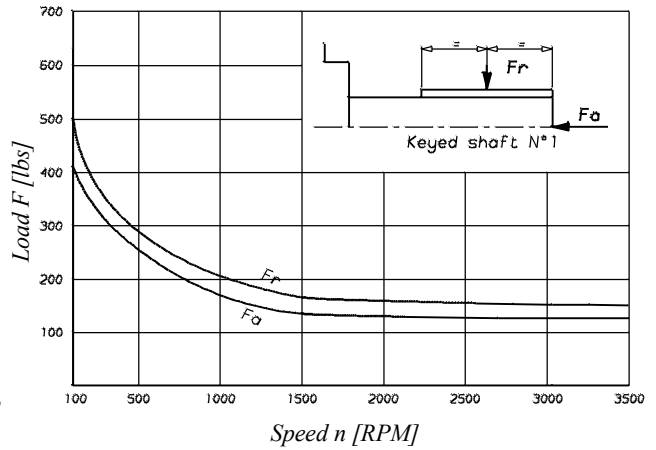
CCW rotation A = outlet  
B = inlet



**INTERNAL LEAKAGE**



**PERMISSIBLE RADIAL AND AXIAL LOADS**

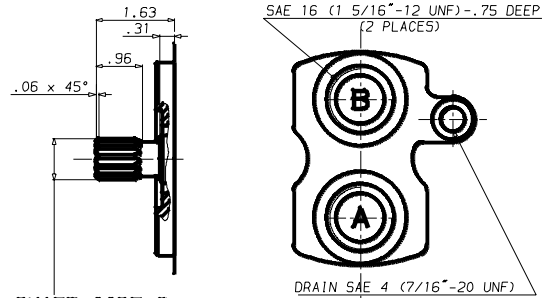
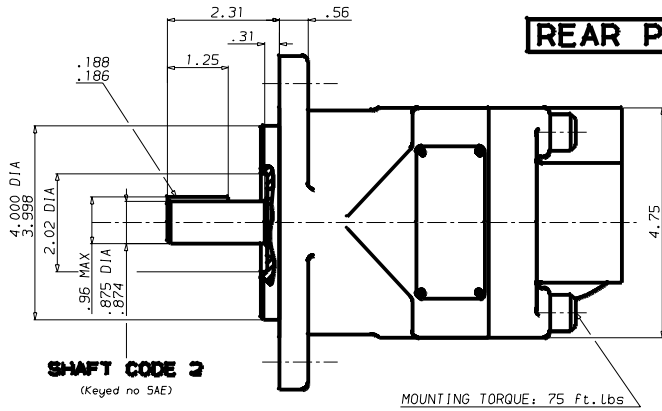


Do not apply Fr and Fa loads simultaneously

**OPERATING CHARACTERISTICS - TYPICAL [115 SUS]**

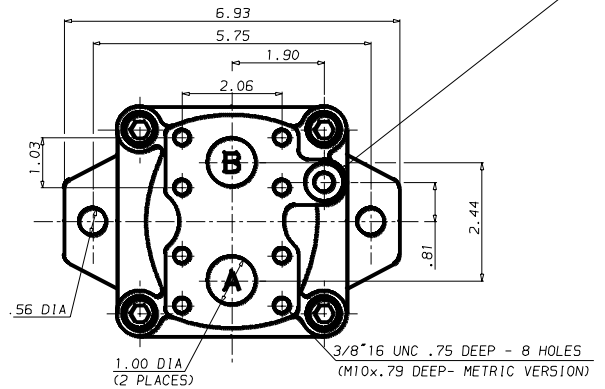
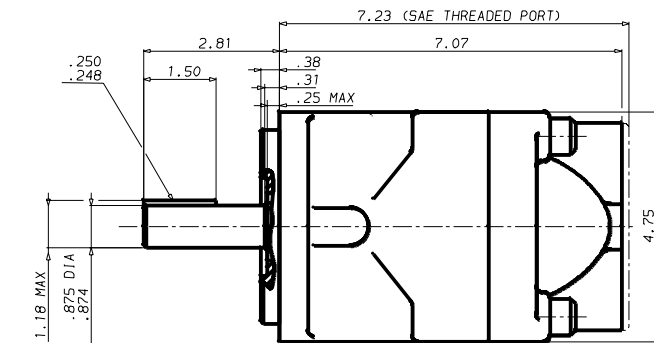
Model	Volumetric displacement $V_i$ in <sup>3</sup> /rev.	Input flow at n = 2000 RPM		Torque T at n = 2000 RPM		Power output at n = 2000 RPM	
		Theoretical	at 2500 PSI $\Delta p$	at 2500 PSI $\Delta p$	at 2500 PSI $\Delta p$		
		GPM	GPM	in.lbf	HP		
M4C - M4SC 024	1.49	13.0	17.7	535.4	17.0		
M4C - M4SC 027	1.72	14.8	19.5	619.5	19.7		
M4C - M4SC 031	2.11	18.5	23.2	768.0	24.0		
M4C - M4SC 043	2.84	24.6	29.3	1062.0	33.6		
M4C - M4SC 055	3.59	31.2	36.0	1318.6	41.8		
M4C - M4SC 067	4.34	37.5	42.3	1504.5	47.7		
M4C - M4SC 075	4.89	42.3	47.0	1752.2	55.6		

**REAR PORTS**

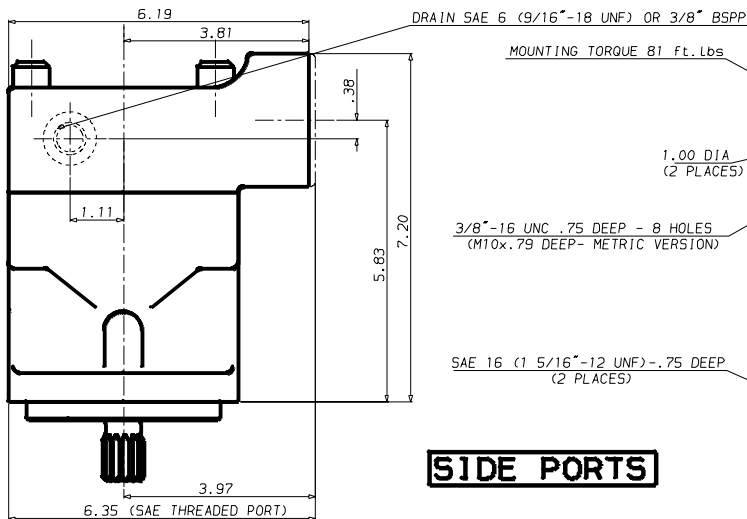


**SAE THREADED PORT**

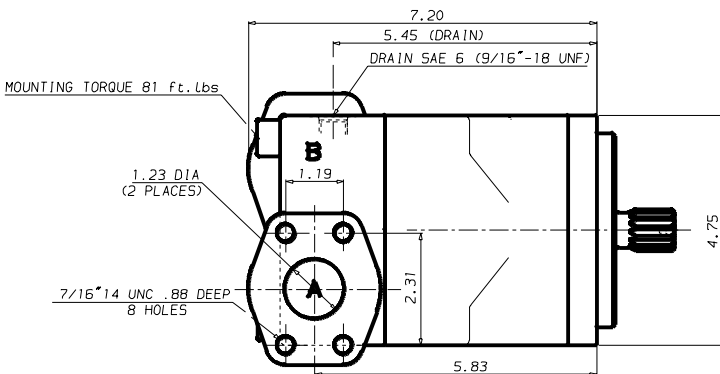
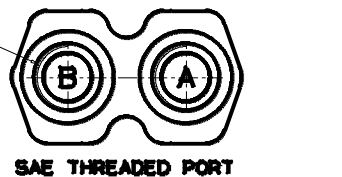
DRAIN SAE 4 (7/16\"-20 UNF) OR 1/4\" B5PP (Plug for internal drain)



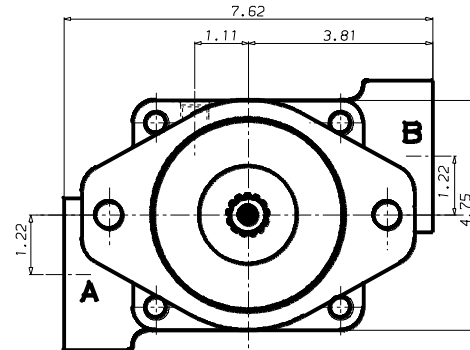
**SHAFT CODE 1**  
(KEYED, SAE \"B\")



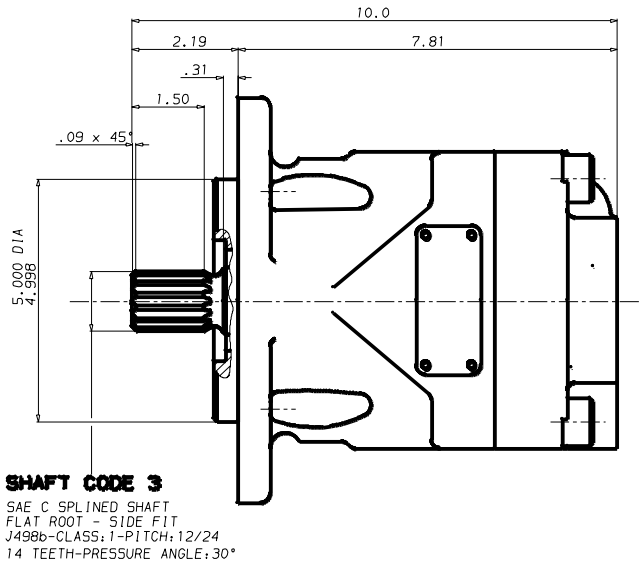
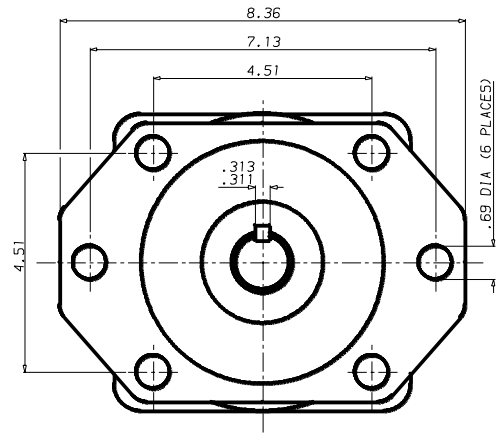
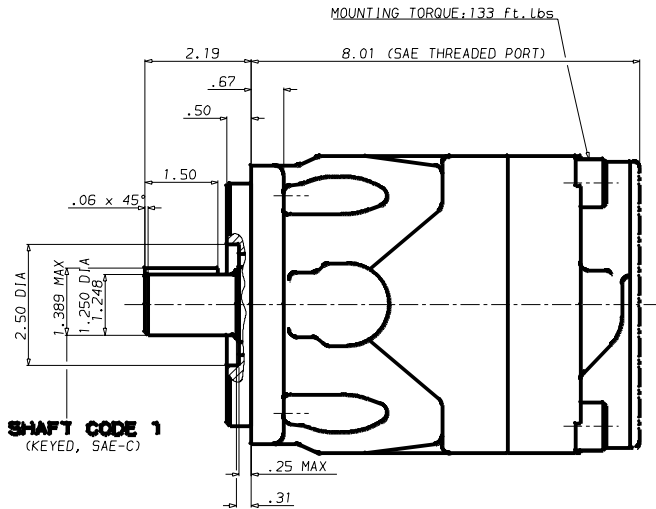
**SIDE PORTS**



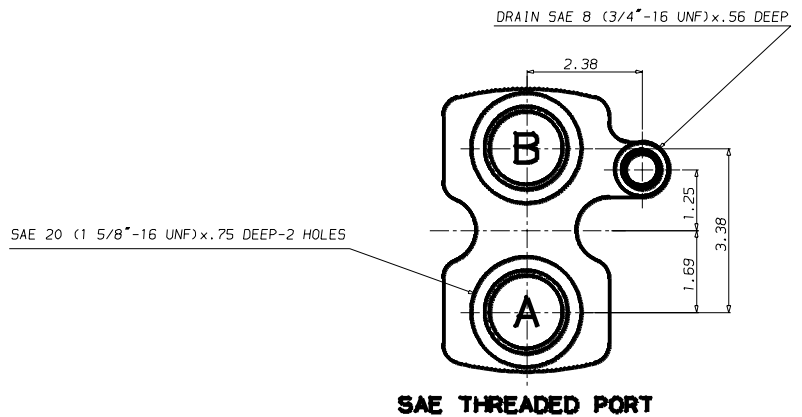
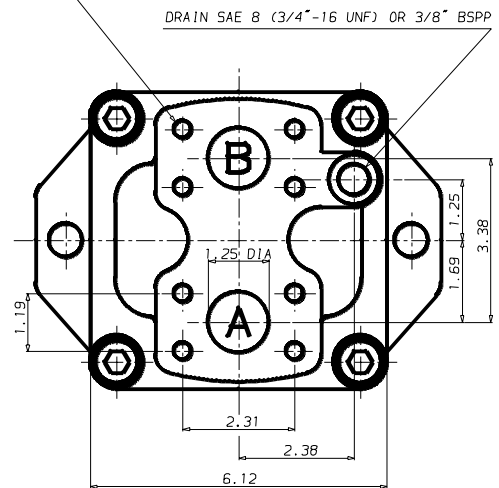
**OPPOSITE PORTS**







7/16" 14 UNC .87 DEEP-8 HOLES  
(M12 x .87 DEEP-METRIC VERSION)



**ORDERING CODE - M4E - M4SE SERIES**

**Model No.** M4\*E1  
M4\*E - 214 - 1 N 00 - B 5 02 ..

**Series external drain** \_\_\_\_\_  
**Series internal drain** \_\_\_\_\_

**Torque** \_\_\_\_\_  
 153 = 1.54 in.lb/PSI  
 185 = 1.86 in.lb/PSI  
 214 = 2.16 in.lb/PSI

**Type of shaft** \_\_\_\_\_  
 1 = keyed (SAE C)  
 3 = splined (SAE C)

**Rotation** \_\_\_\_\_  
 N = bi-directional

\* = S = Severe duty motor.

**Modification**  
**Port connections**  
 01 = SAE threaded port  
 SAE drain  
 02 = SAE 4 bolt flange  
 UNC threaded - SAE drain  
 04 = SAE 4 bolt flange  
 UNC threaded - BSPP drain

**Seal class**  
 5 = S5

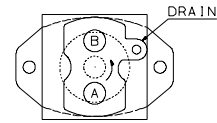
**Design letter**

**Porting combination**  
 00 = standard

M4E1 - M4SE1 : Drain port is plugged.

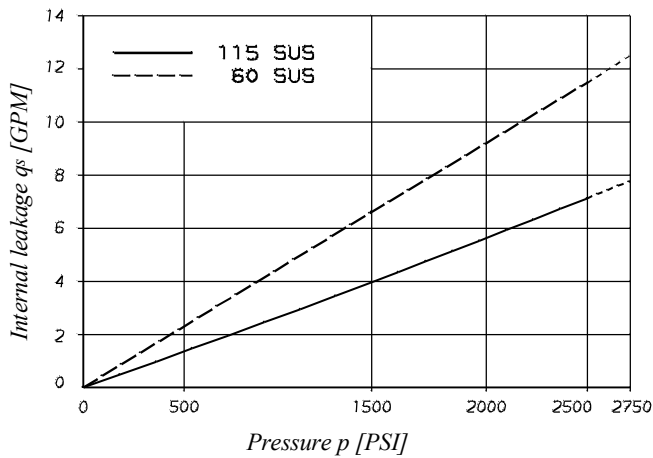
**View from shaft end :**

CW rotation A = inlet CCW rotation A = outlet  
 B = outlet B = inlet

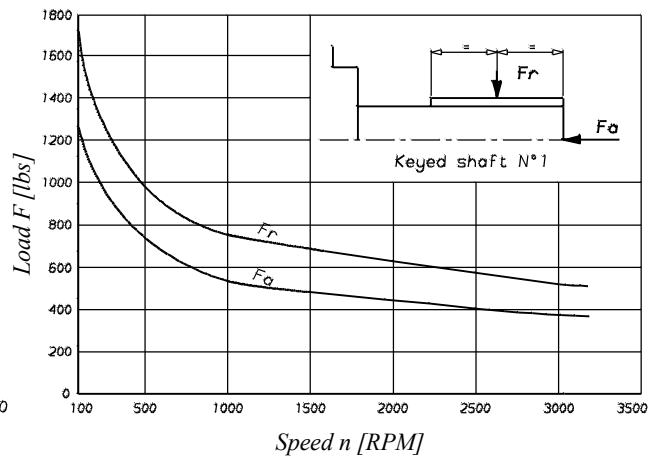


00

**INTERNAL LEAKAGE**



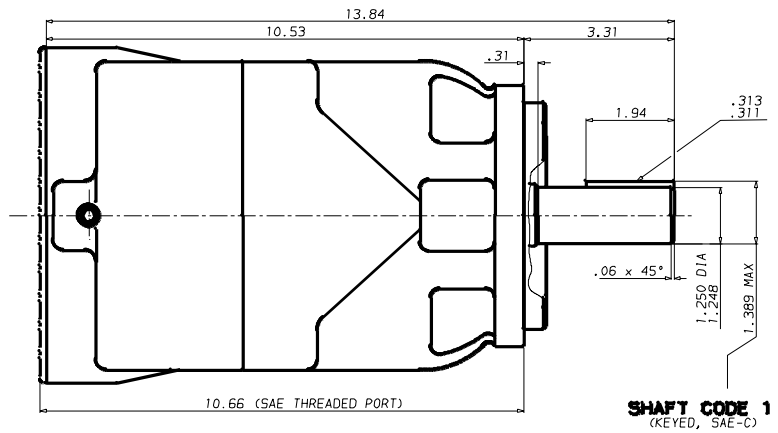
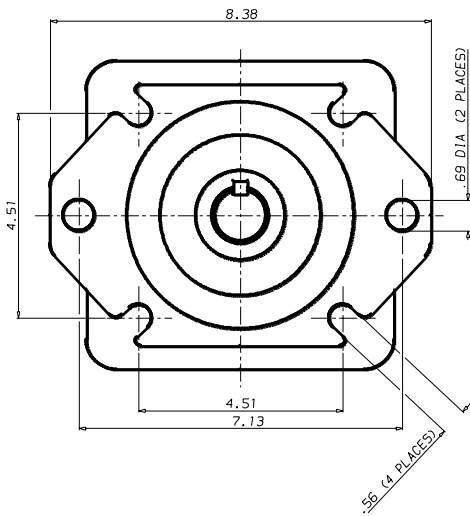
**PERMISSIBLE RADIAL AND AXIAL LOADS**



Do not apply Fr and Fa loads simultaneously

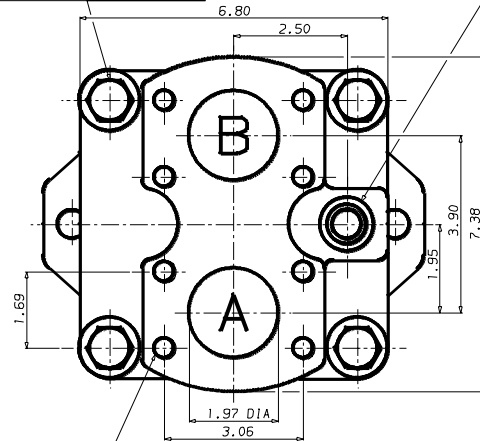
**OPERATING CHARACTERISTICS - TYPICAL [115 SUS]**

Model	Volumetric displacement $V_i$ in <sup>3</sup> /rev.	Input flow at n = 2000 RPM		Torque T	Power output
		Theoretical	at 2500 PSI $\Delta p$	at n = 2000 RPM	at n = 2000 RPM
		GPM	GPM	at 2500 PSI $\Delta p$	at 2500 PSI $\Delta p$
				in.lbf	HP
M4E - M4SE 062	9.67	83.7	90.6	3522.0	111.8
M4E - M4SE 074	11.69	101.2	108.0	4283.2	136.0
M4E - M4SE 088	13.55	117.3	124.2	5017.7	159.3

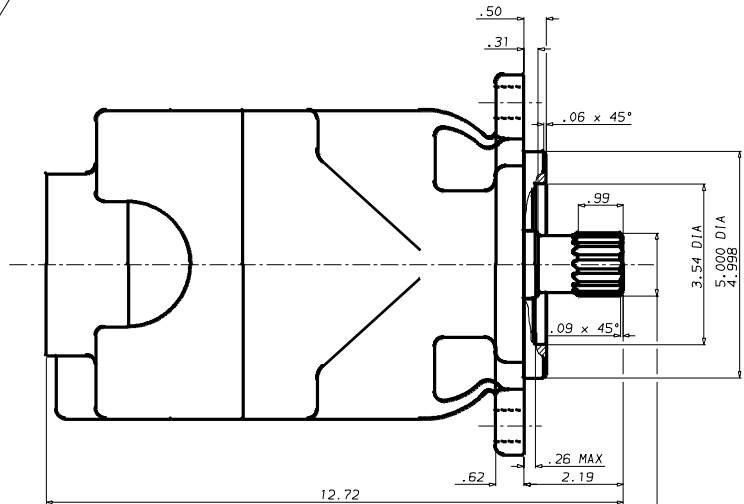


DRAIN SAE 8 (3/4"-16 UNF) OR 1/2" BSPP

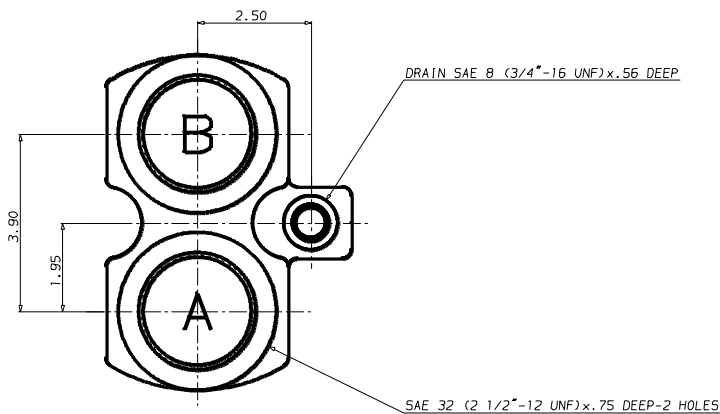
MOUNTING TORQUE: 173 ft. Lbs



8 THREADED HOLES  
1/2"-13 UNC 1.06 DEEP



**SHAFT CODE 3**  
SAE C SPLINED SHAFT  
FLAT ROOT - SIDE FIT  
J4980-CLASS:1-PITCH:12/24  
14 TEETH - PRESSURE ANGLE:30°



**Model No.** M4\*DC1  
M4\*DC - 138 - 031 - 1 N 00 - B 1 02 00 ..

**Series external drain** ————

**Series internal drain** ————

**Torque for A1 - B1**  
062 = .63 in.lb/PSI  
074 = .75 in.lb/PSI  
088 = .88 in.lb/PSI  
102 = .96 in.lb/PSI  
113 = 1.13 in.lb/PSI  
128 = 1.28 in.lb/PSI  
138 = 1.40 in.lb/PSI

**Torque for A2 - B2**  
024 = .24 in.lb/PSI  
027 = .28 in.lb/PSI  
031 = .33 in.lb/PSI  
043 = .45 in.lb/PSI  
055 = .57 in.lb/PSI  
067 = .69 in.lb/PSI  
075 = .78 in.lb/PSI

**Type of shaft**  
1 = keyed (SAE C)  
3 = splined (SAE C)

\* = S = Severe duty motor.

**Modification**  
No control  
**Port connections (P2)**  
01 = SAE threaded SAE drain  
02 = SAE 4 bolt flange SAE drain  
04 = SAE 4 bolt flange BSPP drain

**Seal class**  
1 = S1 (M4DC)  
5 = S5 (M4SDC)

**Design letter**

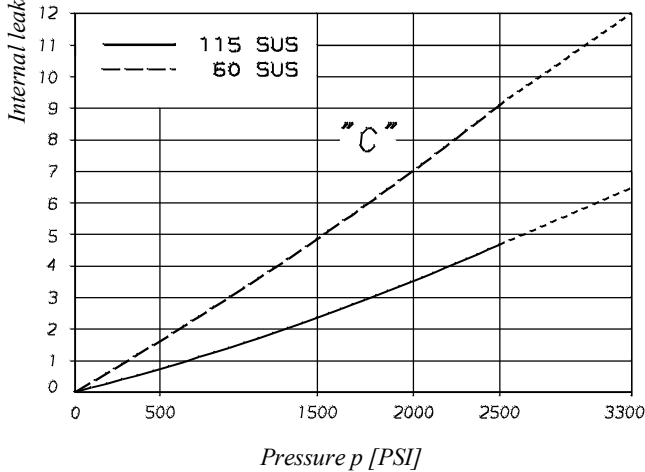
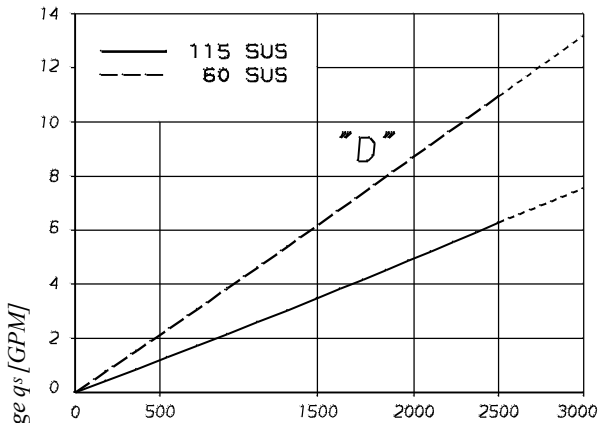
**Porting combination**  
See below

**Rotation**  
N = bi-directional

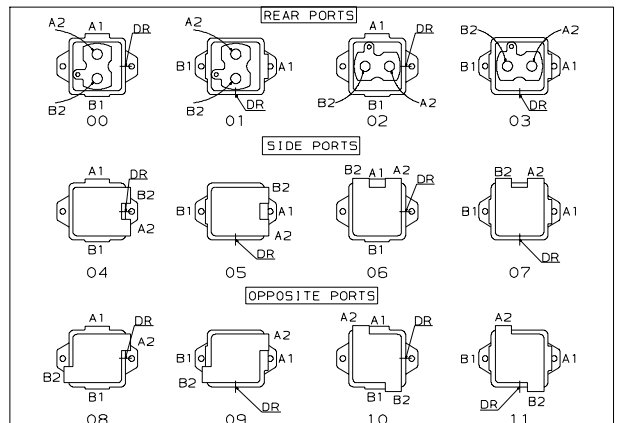
**View from shaft end :**  
CW rotation A = inlet CCW rotation A = outlet  
B = outlet B = inlet

M4DC1 - M4SDC1 : Drain port is plugged.

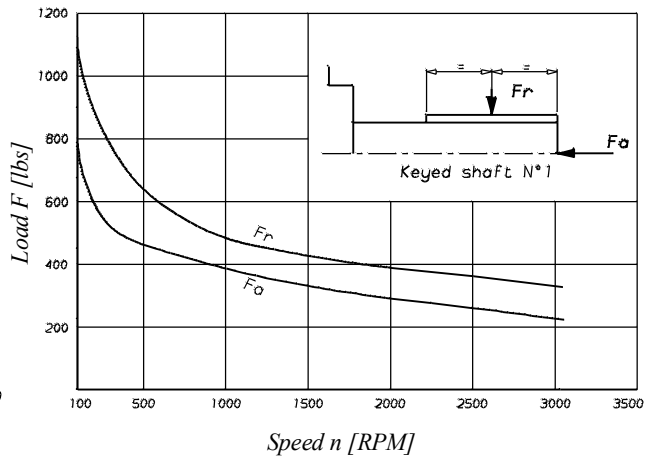
**INTERNAL LEAKAGE**



**PORTING COMBINATION**



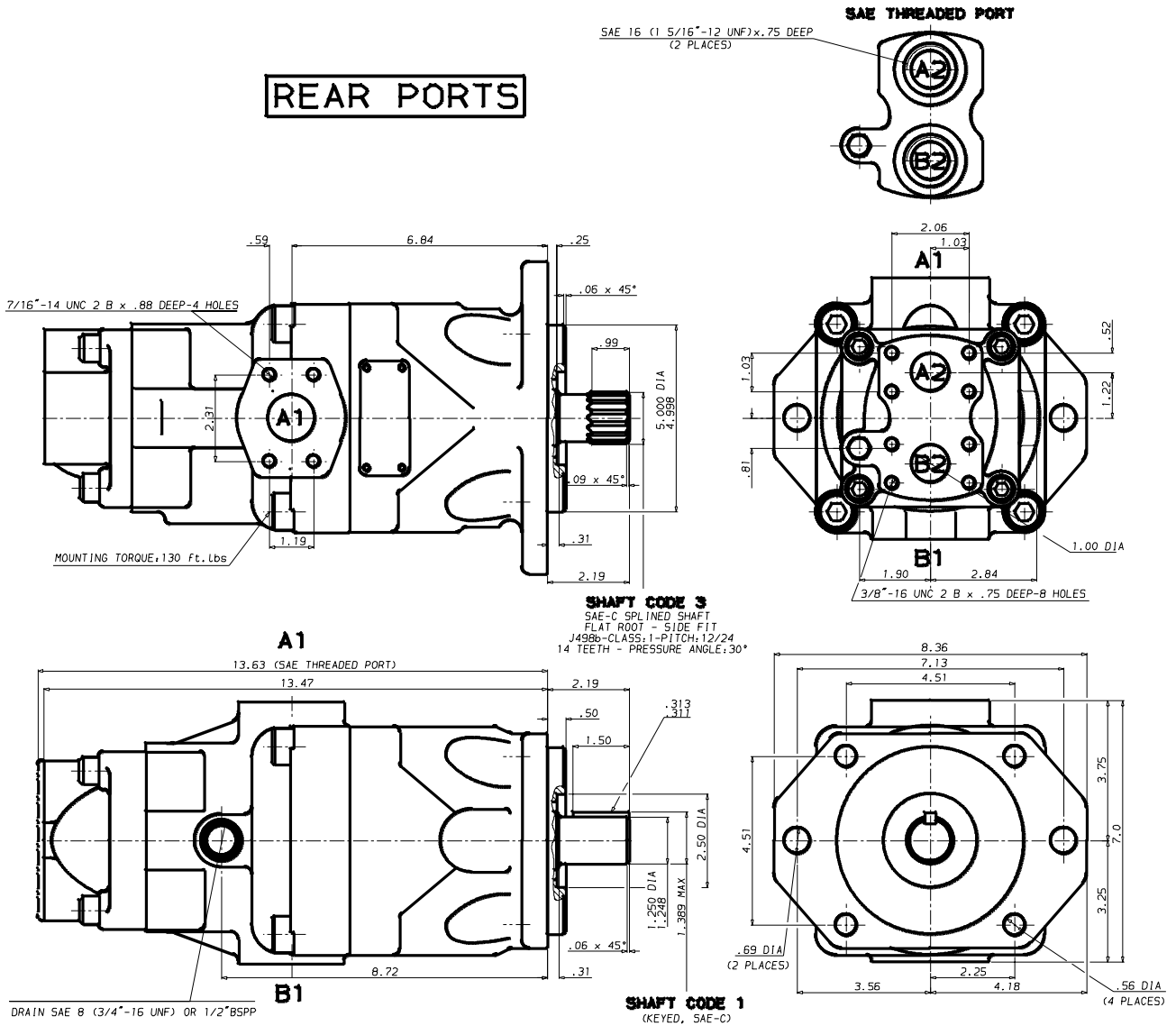
**PERMISSIBLE RADIAL AND AXIAL LOADS**



Do not apply Fr and Fa loads simultaneously



**REAR PORTS**

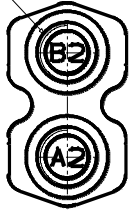


**OPERATING CHARACTERISTICS - TYPICAL [115 SUS]**

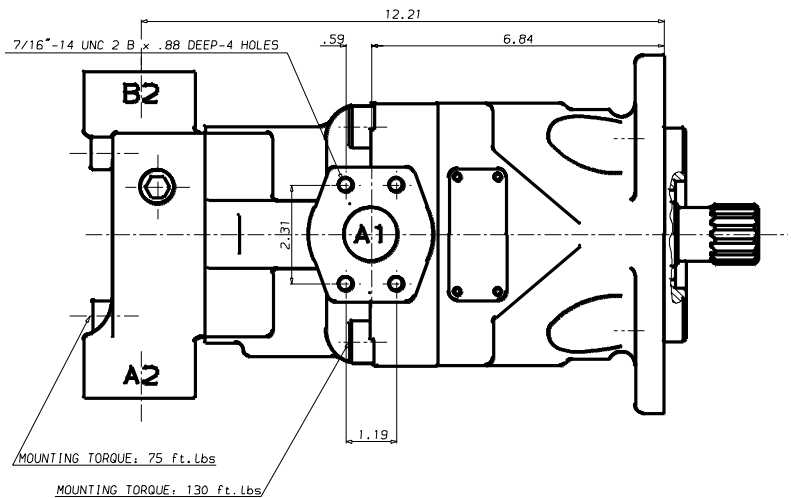
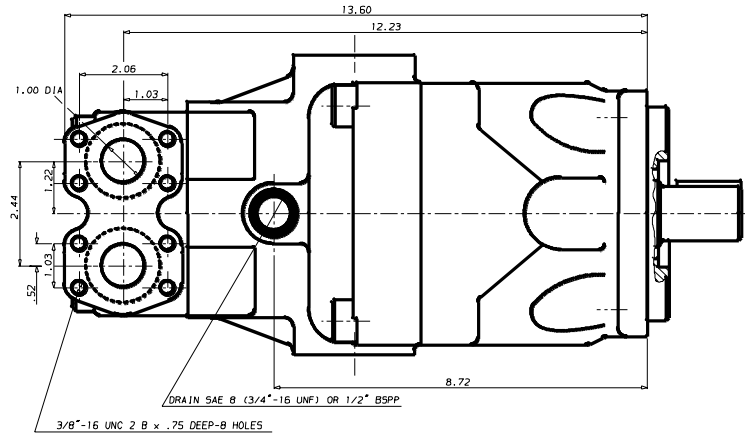
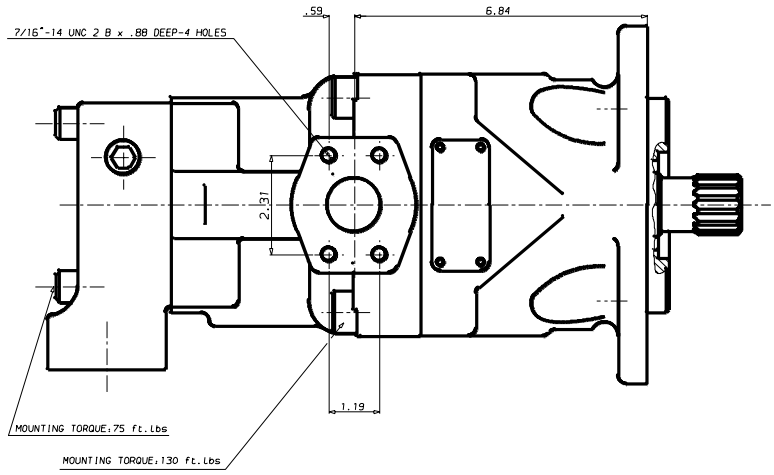
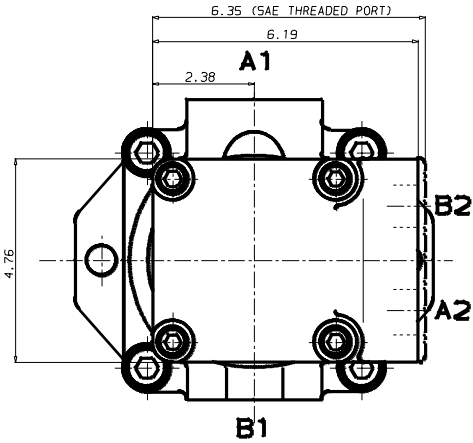
Model	Volumetric displacement $V_i$ in <sup>3</sup> /rev.	Input flow at n = 2000 RPM		Torque T	Power output
		Theoretical	at 2500 PSI $\Delta p$	at n = 2000 RPM	at n = 2000 RPM
				at 2500 PSI $\Delta p$	at 2500 PSI $\Delta p$
		GPM	GPM	in.lbf	HP
M4D - M4SD 062	3.97	33.8	40.0	1460.0	46.4
M4D - M4SD 074	4.69	41.5	47.8	1770.0	56.2
M4D - M4SD 088	5.56	48.0	54.4	2088.5	66.2
M4D - M4SD 102	6.44	55.5	61.8	2336.3	74.1
M4D - M4SD 113	7.12	61.5	67.9	2655.0	84.2
M4D - M4SD 128	8.08	70.0	76.3	3009.0	95.5
M4D - M4SD 138	8.81	76.3	82.7	3292.0	104.5
M4C - M4SC 024	1.49	13.0	17.7	535.4	17.0
M4C - M4SC 027	1.72	14.8	19.5	619.5	19.7
M4C - M4SC 031	2.11	18.5	23.2	768.0	24.0
M4C - M4SC 043	2.84	24.6	29.3	1062.0	33.6
M4C - M4SC 055	3.59	31.2	36.0	1318.6	41.8
M4C - M4SC 067	4.34	37.5	42.3	1504.5	47.7
M4C - M4SC 075	4.89	42.3	47.0	1752.2	55.6

**SIDE PORTS**

SAE 16 (1 5/16"-12 UNF)x.75 DEEP  
(2 PLACES)



SAE THREADED PORT



**OPPOSITE PORTS**

